



US00D691723S

(12) **United States Design Patent**
Patil et al.

(10) **Patent No.:** **US D691,723 S**

(45) **Date of Patent:** **** Oct. 15, 2013**

(54) **MOBILE X-RAY UNIT WITH INTEGRATED X-RAY SHIELD**

7,663,128	B2	2/2010	Arterson	
D617,906	S *	6/2010	Nakahara et al.	D24/158
D659,833	S *	5/2012	Ogura	D24/158
D669,989	S *	10/2012	Boudier	D24/158
2009/0304159	A1 *	12/2009	Meer et al.	378/208

* cited by examiner

(75) Inventors: **Mahendra Madhukar Patil**, Bangalore (IN); **Arun A. Balan**, Ermakulam (IN); **Jijo Varghese**, Bangalore (IN)

(73) Assignee: **General Electric Company**, Schenectady, NY (US)

Primary Examiner — Anhdao Doan

(74) *Attorney, Agent, or Firm* — Ziolkowski Patent Solutions Group, SC

(**) Term: **14 Years**

(21) Appl. No.: **29/417,557**

(57) **CLAIM**

The ornamental design for a mobile x-ray unit with integrated x-ray shield, as shown and described.

(22) Filed: **Apr. 5, 2012**

(51) **LOC (9) Cl.** **24-01**

(52) **U.S. Cl.**
USPC **D24/158**

(58) **Field of Classification Search**
USPC D24/158–161, 185, 186; 378/4, 15, 17, 378/20, 21, 23–27, 62, 68, 146, 195–198
See application file for complete search history.

DESCRIPTION

FIG. 1 is a rear perspective view of a mobile x-ray unit with integrated x-ray shield;
FIG. 2 is a front perspective view thereof;
FIG. 3 is a front elevational view thereof;
FIG. 4 is a rear elevational view thereof;
FIG. 5 is a right side elevational view thereof;
FIG. 6 is a left side elevational view thereof;
FIG. 7 is a top view thereof; and,
FIG. 8 is a bottom view thereof.

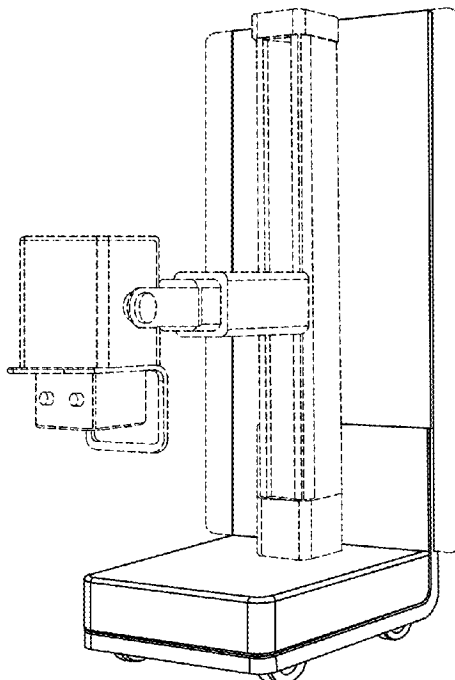
The broken lines in the drawing views are included for the purpose of illustrating portions of the mobile x-ray unit with integrated x-ray shield that form no part of the claimed design.

(56) **References Cited**

U.S. PATENT DOCUMENTS

4,979,196	A *	12/1990	Lieutaud et al.	378/37
4,998,270	A *	3/1991	Scheid et al.	378/155
5,015,864	A *	5/1991	Maleki	
D334,980	S *	4/1993	Pritchard	D24/158
D563,553	S *	3/2008	Saito et al.	D24/158
D566,283	S *	4/2008	Brafford et al.	D24/186
D609,811	S *	2/2010	Yokoyama et al.	D24/159

1 Claim, 4 Drawing Sheets



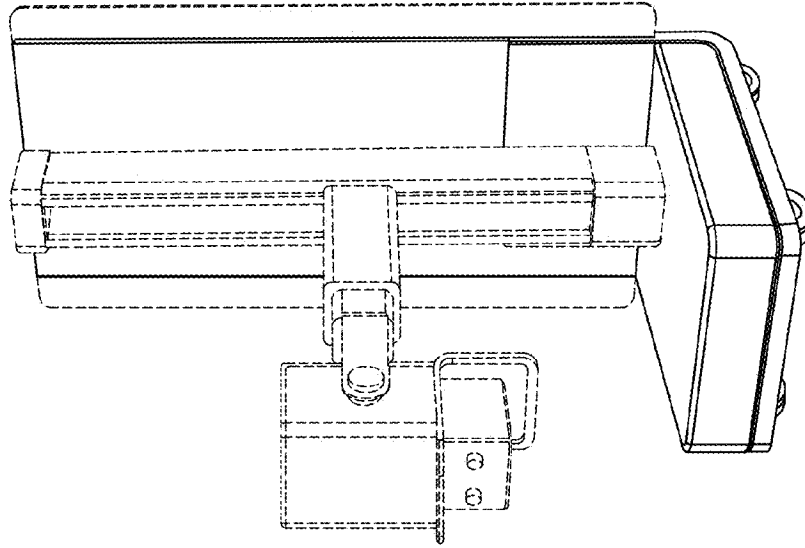


FIG. 2

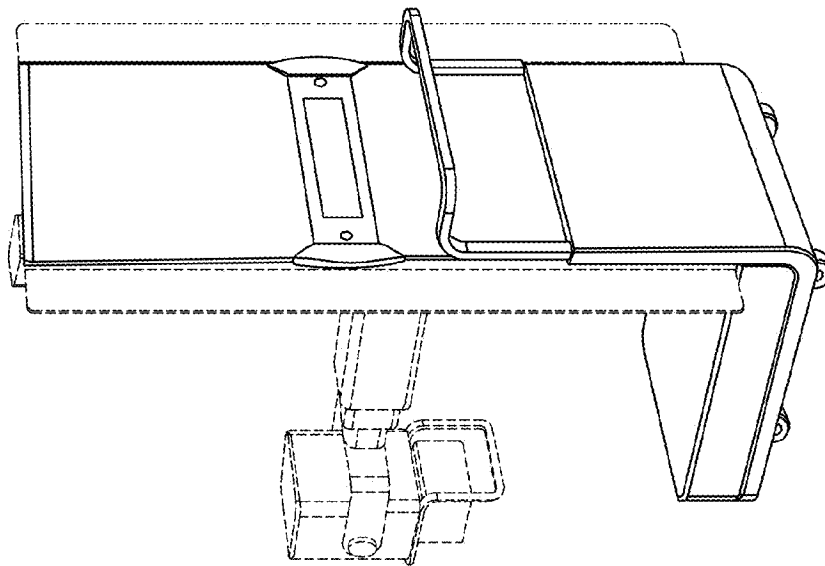


FIG. 1

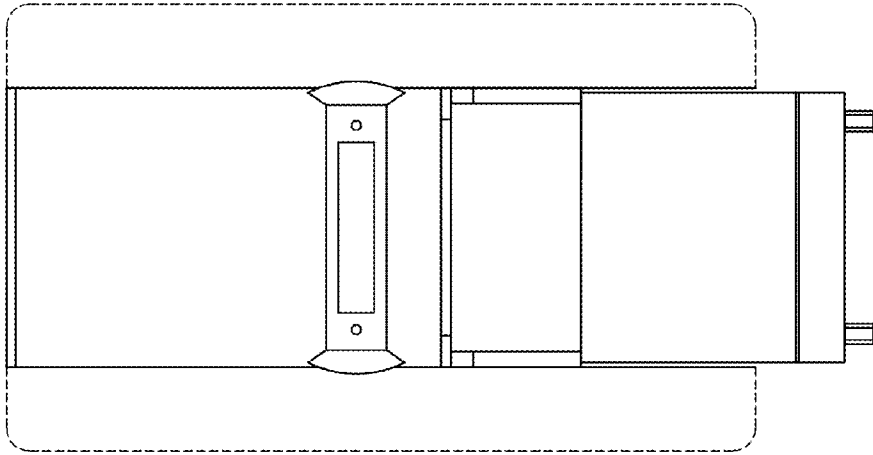


FIG. 4

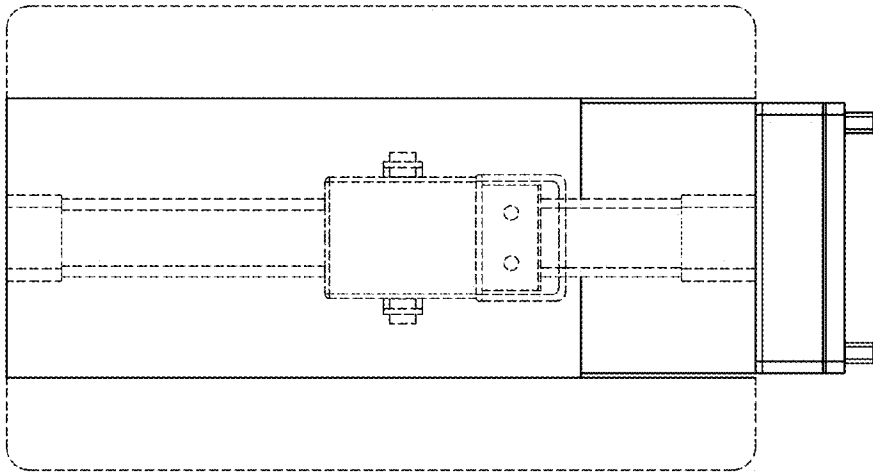


FIG. 3

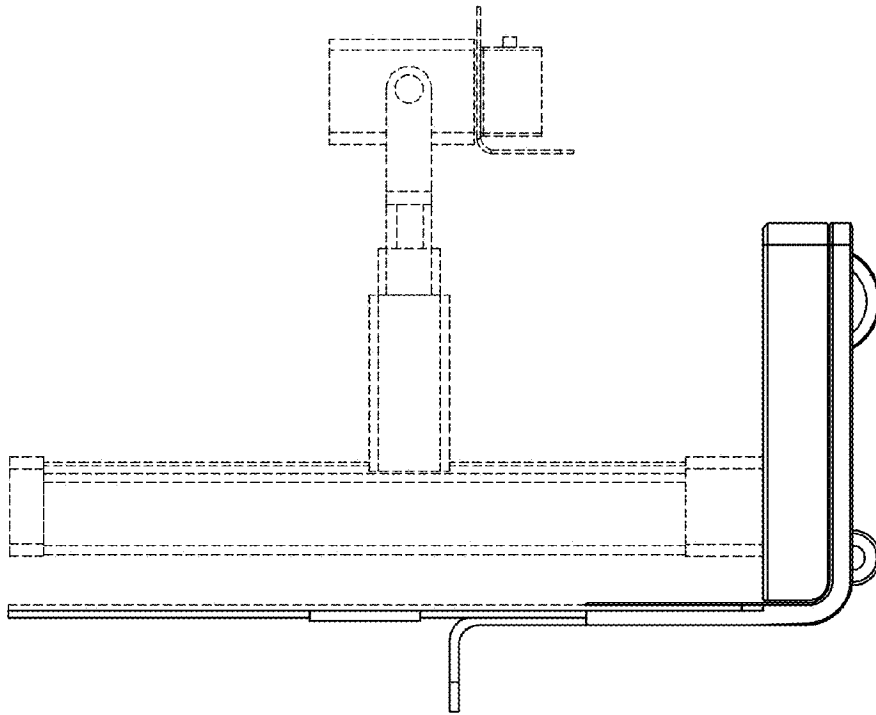


FIG. 6

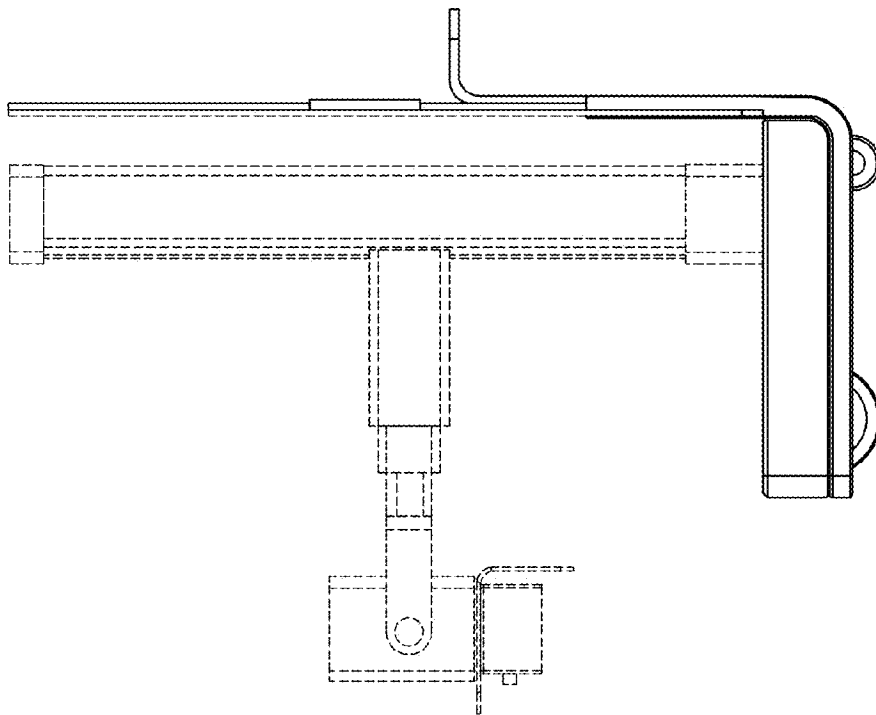


FIG. 5

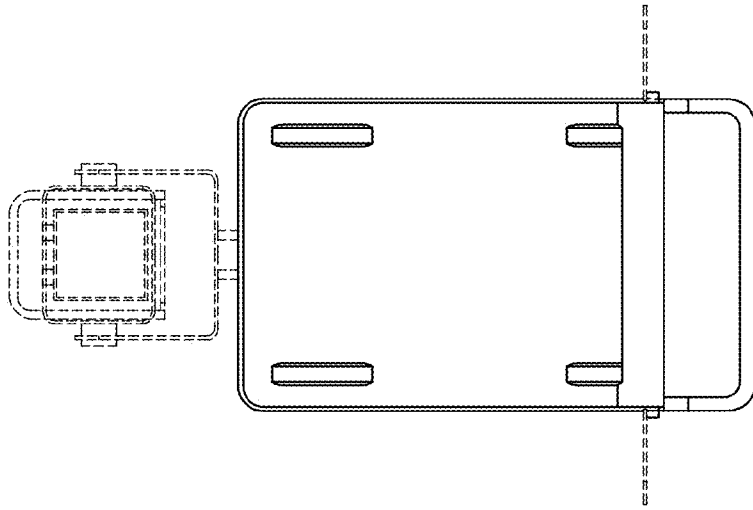


FIG. 7

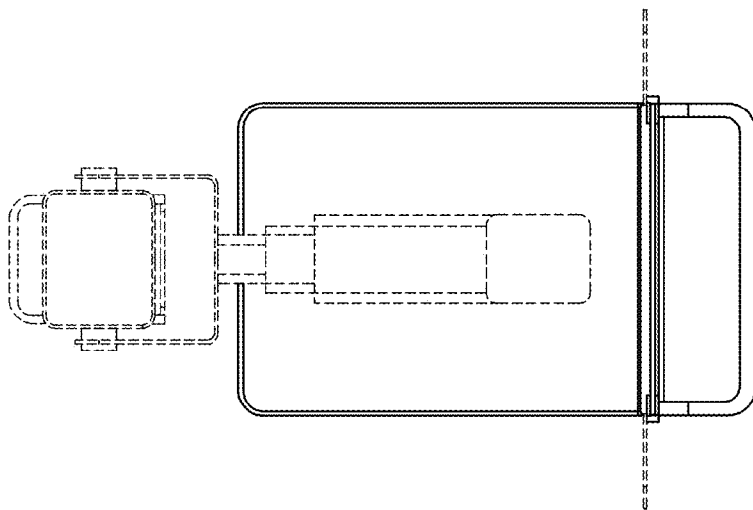


FIG. 8