



(12) **United States Design Patent**  
**Brockway**

(10) **Patent No.:** **US D686,641 S**  
(45) **Date of Patent:** **\*\* Jul. 23, 2013**

(54) **COMPACTION CLEAT ASSEMBLY**

(75) Inventor: **Robert John Brockway**, Scottsboro, AL (US)

(73) Assignee: **Terra Compactor Wheel Corp.**, Scottsboro, AL (US)

(\*\*) Term: **14 Years**

(21) Appl. No.: **29/397,536**

(22) Filed: **Jul. 18, 2011**

(51) **LOC (9) Cl.** ..... **15-03**

(52) **U.S. Cl.**  
USPC ..... **D15/28**

(58) **Field of Classification Search**  
USPC ..... D15/20, 21, 28, 29; D12/604; 404/121, 404/90, 124, 122; 301/43, 44.1-44.4; 172/122, 172/540, 554; 37/452, 453, 455  
See application file for complete search history.

(56) **References Cited**

U.S. PATENT DOCUMENTS

3,650,185	A *	3/1972	Takata	404/121
3,891,341	A *	6/1975	Trainor et al.	404/121
4,074,942	A *	2/1978	Cochran	404/121
4,481,728	A *	11/1984	Mulder et al.	37/452
4,668,122	A *	5/1987	Riddle	404/121
4,919,566	A *	4/1990	Caron et al.	404/121
H946	H *	8/1991	Lonn	404/121
5,217,321	A *	6/1993	Corcoran et al.	404/121
5,217,322	A *	6/1993	Corcoran et al.	404/121
D338,677	S *	8/1993	Corcoran et al.	D15/28
D338,898	S *	8/1993	Corcoran et al.	D15/28
D359,054	S *	6/1995	Gale et al.	D15/20
D379,630	S *	6/1997	Brockway	D15/29
5,687,799	A *	11/1997	Greenfield et al.	172/540
6,042,192	A *	3/2000	Brockway	301/43
D430,172	S *	8/2000	Kesavan	D15/28
6,273,516	B1 *	8/2001	Brockway	301/43
D453,940	S *	2/2002	McCartney	D15/28

(Continued)

*Primary Examiner* — Mark Goodwin

(74) *Attorney, Agent, or Firm* — Ziolkowski Patent Solutions Group, SC

(57) **CLAIM**

The ornamental design for a compaction cleat assembly, as shown and described.

**DESCRIPTION**

FIG. 1 is a perspective view of a compaction cleat assembly in accordance with an embodiment of the present invention.

FIG. 2 is a side elevational view thereof.

FIG. 3 is an end elevational view thereof.

FIG. 4 is a top plan view thereof.

FIG. 5 is a bottom plan view thereof.

FIG. 6 is a cross-sectional view thereof taken along line 6-6 of FIG. 4.

FIG. 7 is a perspective view of the base portion of a compaction cleat assembly of FIG. 1 in unassembled condition for ease of illustration.

FIG. 8 is a side elevational view thereof.

FIG. 9 is an end elevational view thereof.

FIG. 10 is a top plan view thereof.

FIG. 11 is a bottom plan view thereof.

FIG. 12 is a cross-sectional view thereof taken along line 12-12 of FIG. 10.

FIG. 13 is a perspective view of the cleat cap portion of a compaction cleat assembly of FIG. 1 in unassembled condition for ease of illustration.

FIG. 14 is a side elevational view thereof.

FIG. 15 is an end elevational view thereof.

FIG. 16 is a top plan view thereof.

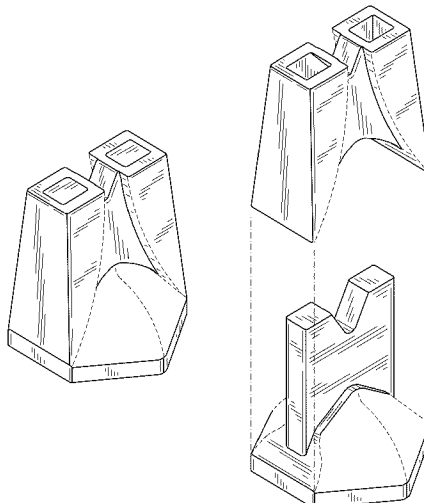
FIG. 17 is a bottom plan view thereof.

FIG. 18 is a cross-sectional view thereof taken along line 18-18 of FIG. 16; and,

FIG. 19 is an exploded perspective view of a compaction cleat assembly of FIG. 1.

Any broken lines shown in all figures are for illustrative purposes only and form no part of the claimed design.

**1 Claim, 10 Drawing Sheets**



# US D686,641 S

Page 2

## U.S. PATENT DOCUMENTS

D476,018	S *	6/2003	Hayashi et al. ....	D15/28	D617,351	S *	6/2010	Brockway .....	D15/28
6,632,045	B1 *	10/2003	McCartney .....	404/72	D617,817	S *	6/2010	Brockway .....	D15/28
6,652,186	B2 *	11/2003	Bierwith .....	404/124	D676,064	S *	2/2013	Stinson .....	D15/28
6,682,262	B2 *	1/2004	Caron et al. ....	404/124	2002/0048489	A1 *	4/2002	Caron et al. ....	404/124
6,991,401	B1 *	1/2006	Caron .....	404/124	2003/0063951	A1 *	4/2003	Bierwith .....	404/124
7,108,452	B2 *	9/2006	Caron et al. ....	404/124	2004/0033107	A1 *	2/2004	Caron et al. ....	404/124
7,163,354	B2 *	1/2007	Runestad .....	404/129	2009/0045669	A1 *	2/2009	McPhail et al. ....	301/43
D538,828	S *	3/2007	Stern .....	D15/28	2012/0003042	A1 *	1/2012	McPhail et al. ....	404/121
7,198,333	B1 *	4/2007	Freeman .....	301/43					

\* cited by examiner

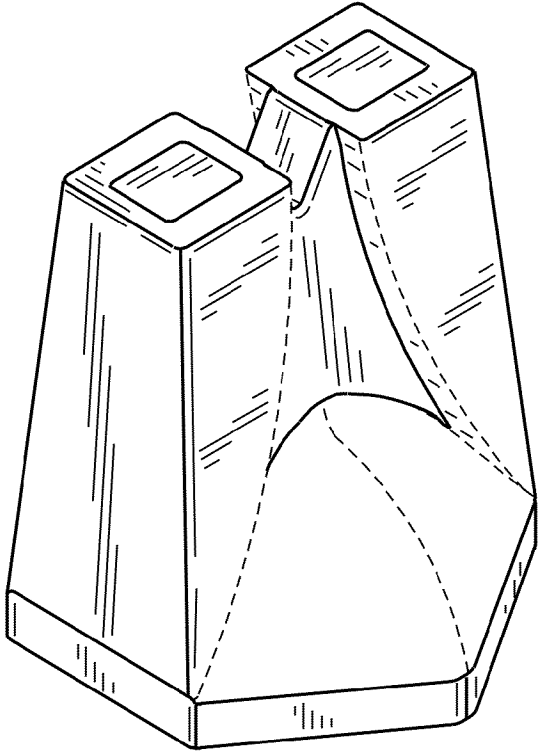


FIG. 1

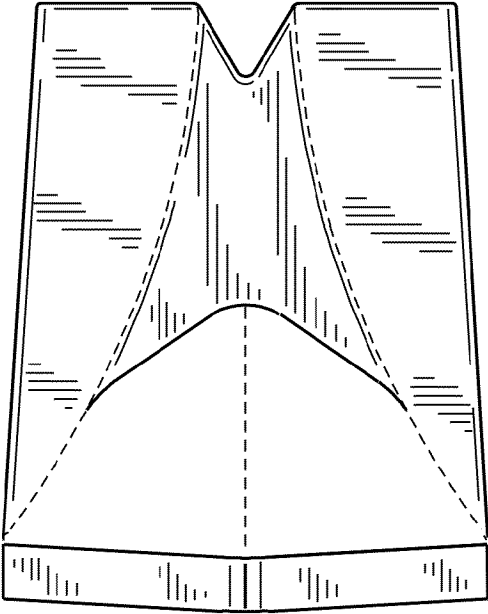


FIG. 2

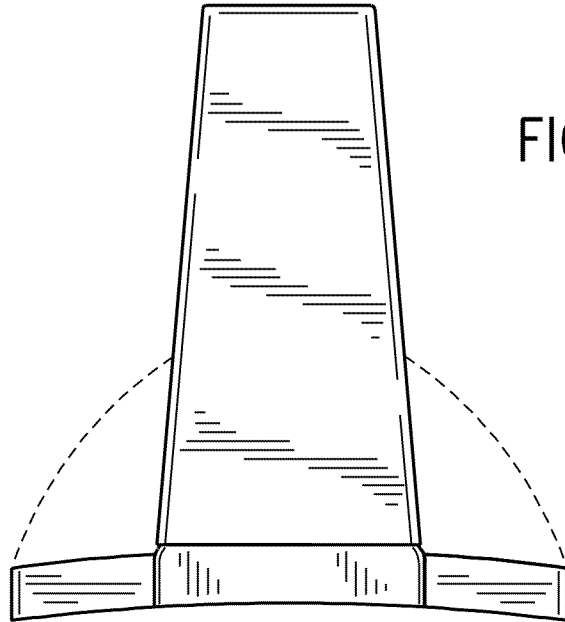


FIG. 3

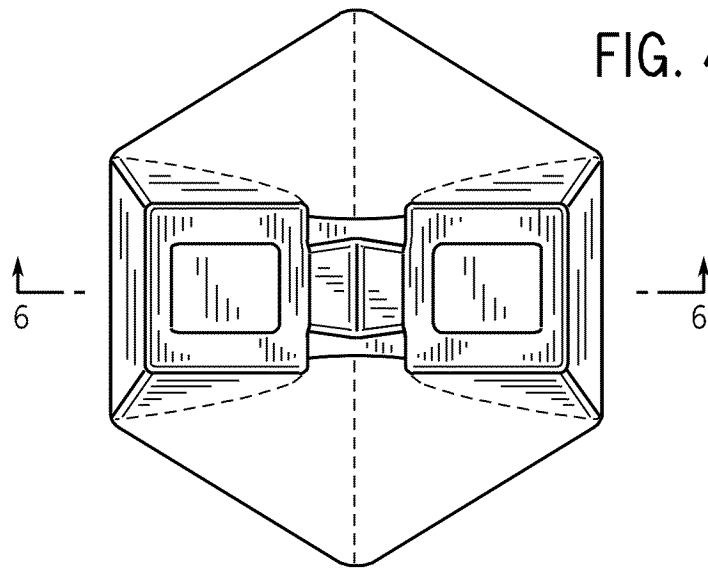


FIG. 4

FIG. 5

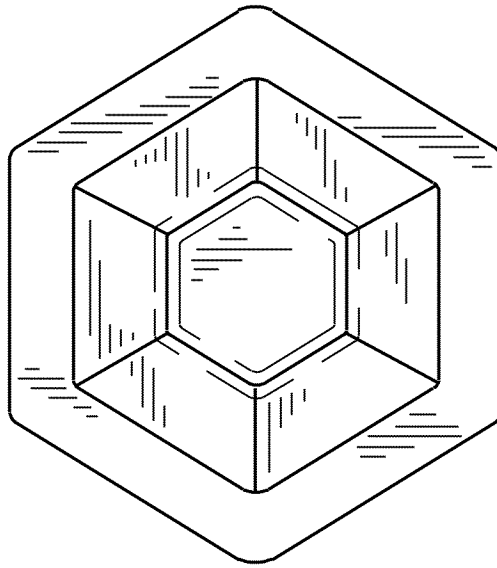
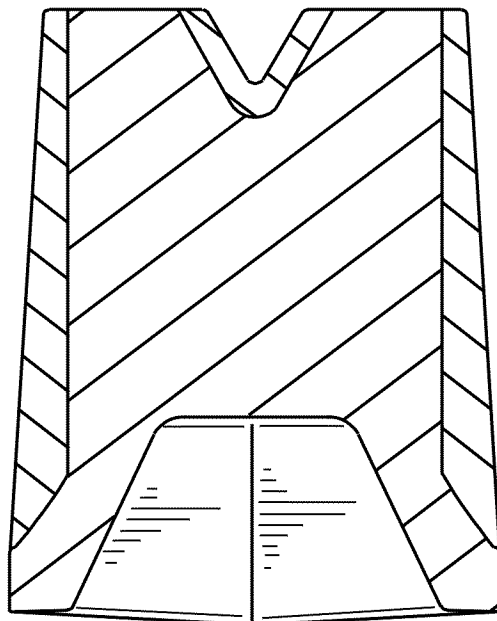


FIG. 6



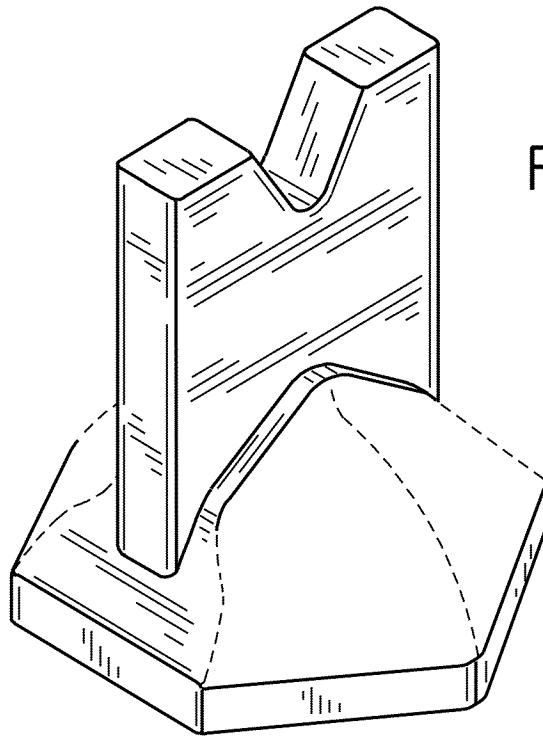


FIG. 7

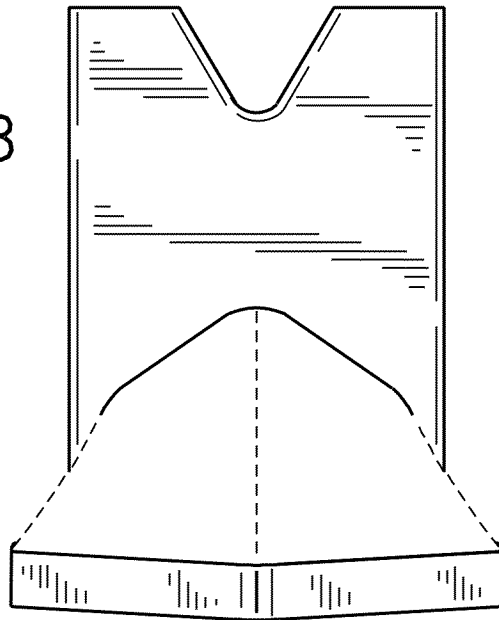
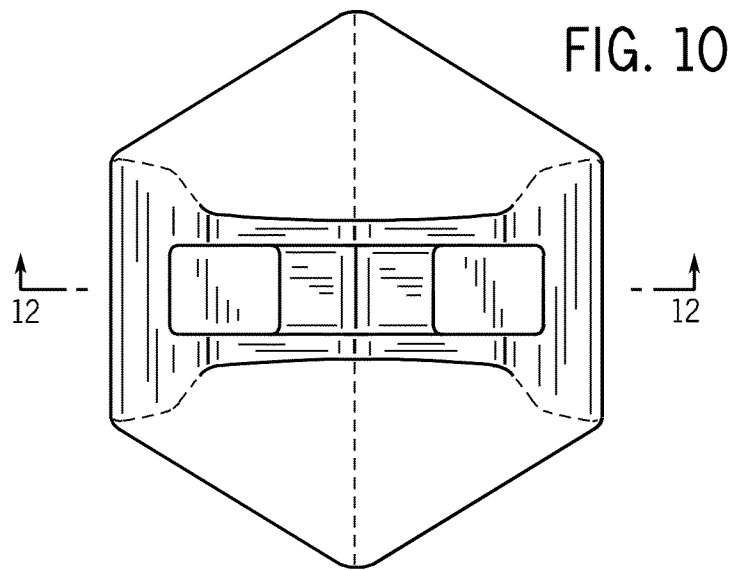
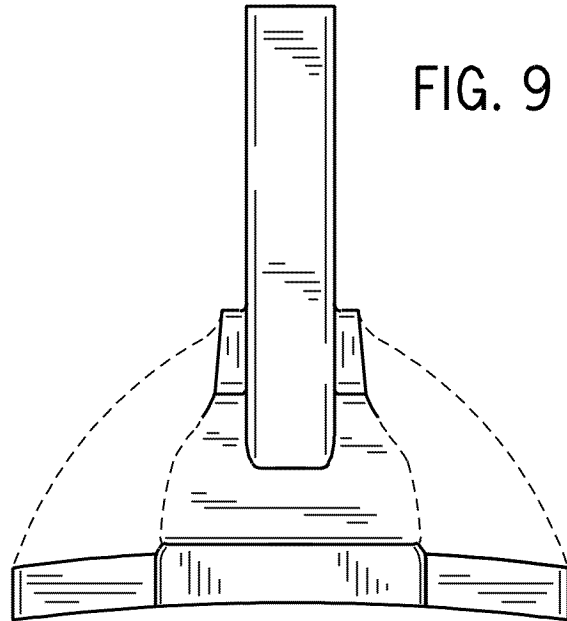


FIG. 8



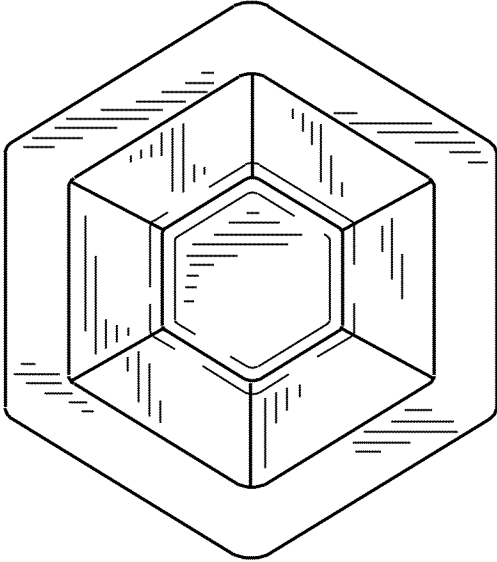


FIG. 11

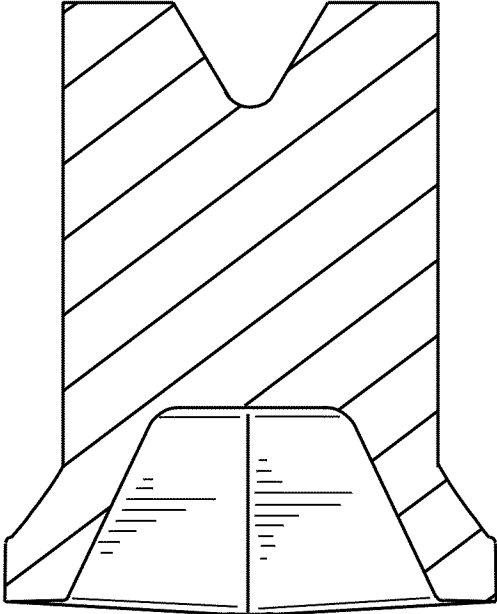


FIG. 12



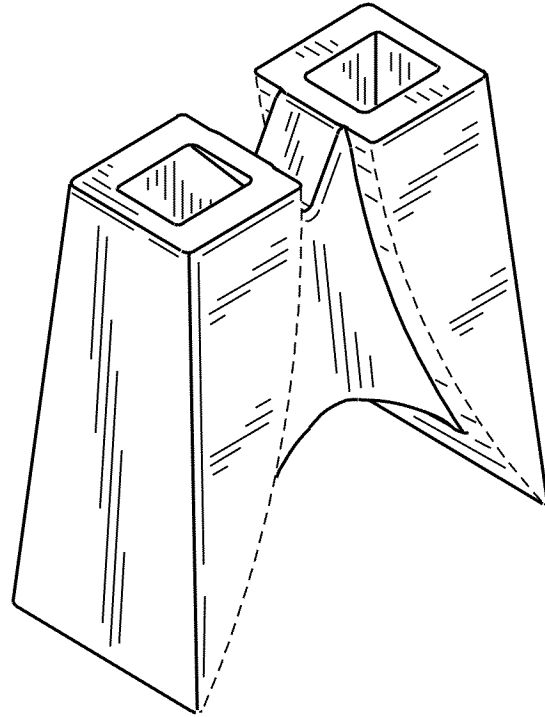


FIG. 13

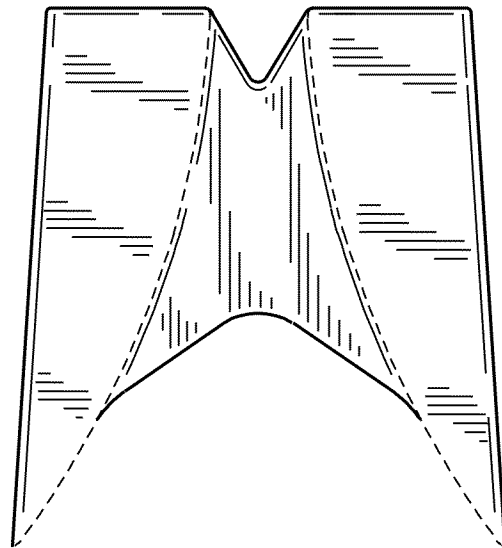


FIG. 14

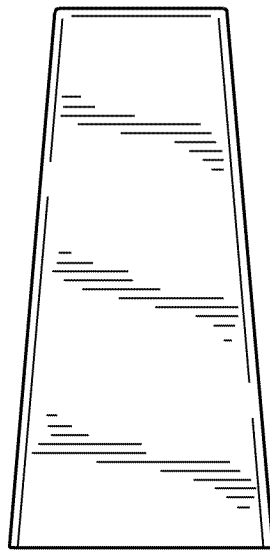


FIG. 15

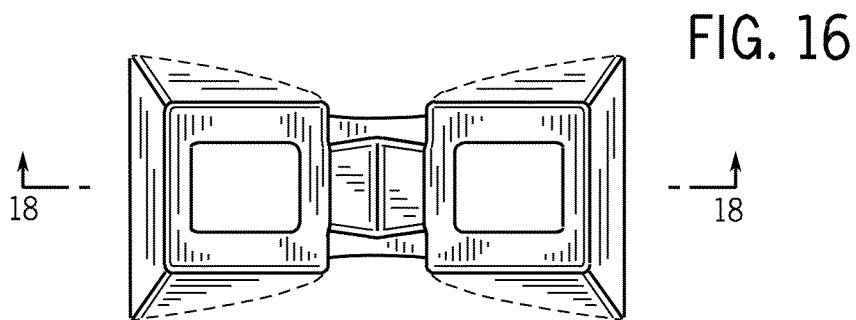


FIG. 16

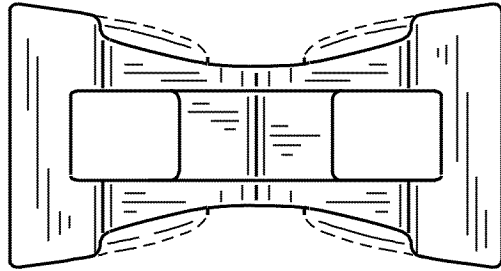


FIG. 17

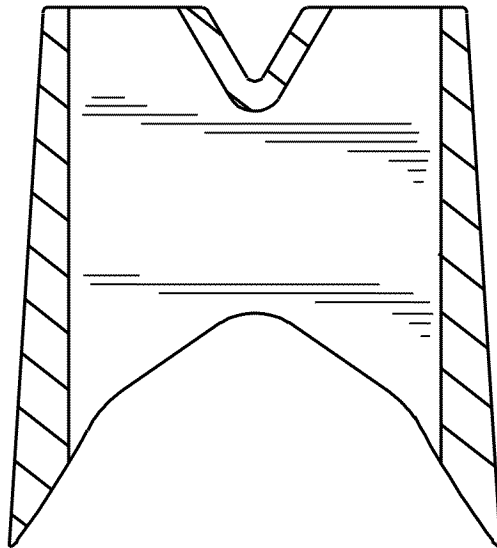


FIG. 18

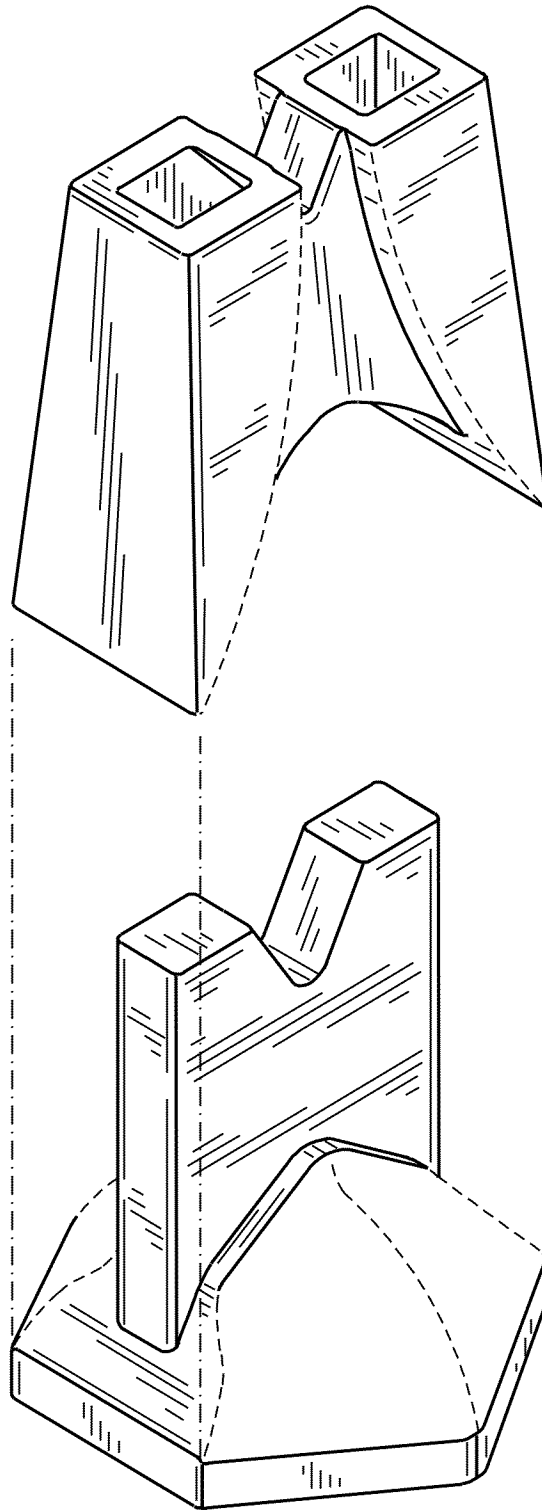


FIG. 19