



US00D681214S

(12) **United States Design Patent**
Dietz

(10) **Patent No.:** **US D681,214 S**

(45) **Date of Patent:** **** Apr. 30, 2013**

- (54) **MEDICAL PATIENT TABLE**
 - (75) Inventor: **Douglas P. Dietz**, Pewaukee, WI (US)
 - (73) Assignee: **General Electric Company**,
Schenectady, NY (US)
 - (**) Term: **14 Years**
 - (21) Appl. No.: **29/379,664**
 - (22) Filed: **Nov. 23, 2010**
 - (51) **LOC (9) Cl.** **24-01**
 - (52) **U.S. Cl.**
USPC **D24/184**
 - (58) **Field of Classification Search** D24/183-184,
D24/200, 158-159; D6/595-596, 601, 604-605,
D6/336-337, 345, 369, 388, 452; 5/110-111,
5/431-437, 490, 636-637, 639-640, 507.1,
5/611-613; 601/11, 652-654; 108/36; 297/330;
312/209
- See application file for complete search history.

- D620,119 S * 7/2010 Kemp D24/183
- D623,299 S * 9/2010 Dietz D24/158
- D628,297 S * 11/2010 Dietz D24/159
- D628,698 S * 12/2010 Dietz D24/159
- D628,699 S * 12/2010 Dietz D24/159
- D630,753 S * 1/2011 Dietz D24/159
- D639,433 S * 6/2011 Dietz D24/158
- 2008/0231149 A1 * 9/2008 Heath et al. 312/209

* cited by examiner

Primary Examiner — T. Chase Nelson

Assistant Examiner — Mark Cavanna

(74) *Attorney, Agent, or Firm* — Ziolkowski Patent Solutions Group, SC

(57) **CLAIM**

The ornamental design for a medical patient table, as shown and described.

DESCRIPTION

FIG. 1 is a perspective view of the medical patient table showing my new design.

FIG. 2 is a right side elevational view of the medical patient table of FIG. 1.

FIG. 3 is a front elevational view of the medical patient table of FIG. 1

FIG. 4 is a rear elevational view of the medical patient table of FIG. 1; and,

FIG. 5 is a top plan view of the medical patient table of FIG. 1.

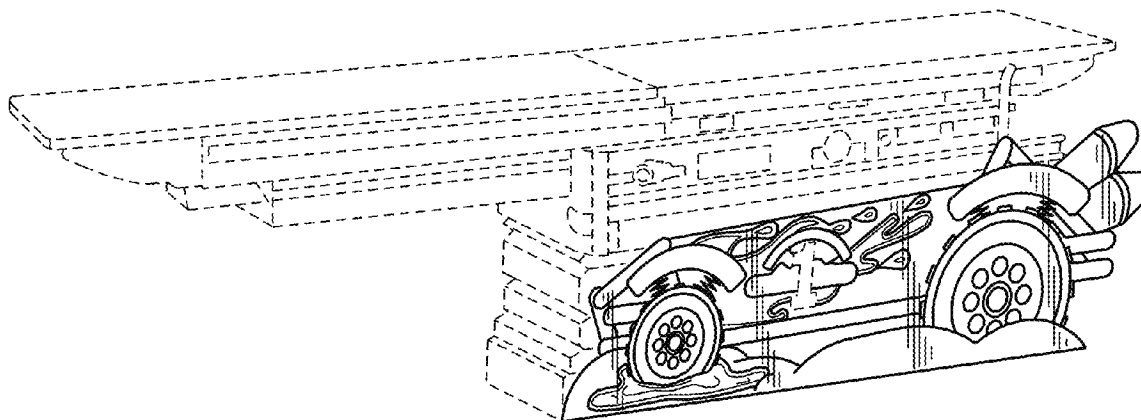
The broken lines in the drawing views are included for the purpose of illustrating portions of the medical patient table that form no part of the claimed design.

1 Claim, 4 Drawing Sheets

(56) **References Cited**

U.S. PATENT DOCUMENTS

- D289,921 S * 5/1987 Migliore D24/183
- D324,269 S * 2/1992 Kochsiek D24/183
- D324,732 S * 3/1992 Kochsiek D24/183
- D326,325 S * 5/1992 Kochsiek D24/183
- D326,326 S * 5/1992 Kochsiek D24/183
- D383,543 S * 9/1997 Kemp D24/183
- D409,751 S * 5/1999 Kemp D24/183
- D460,558 S * 7/2002 Cook D24/183
- D468,827 S * 1/2003 Cook D24/183
- D469,538 S * 1/2003 Cook D24/183
- D546,951 S * 7/2007 Kemp D24/183
- D551,768 S * 9/2007 Kemp D24/183



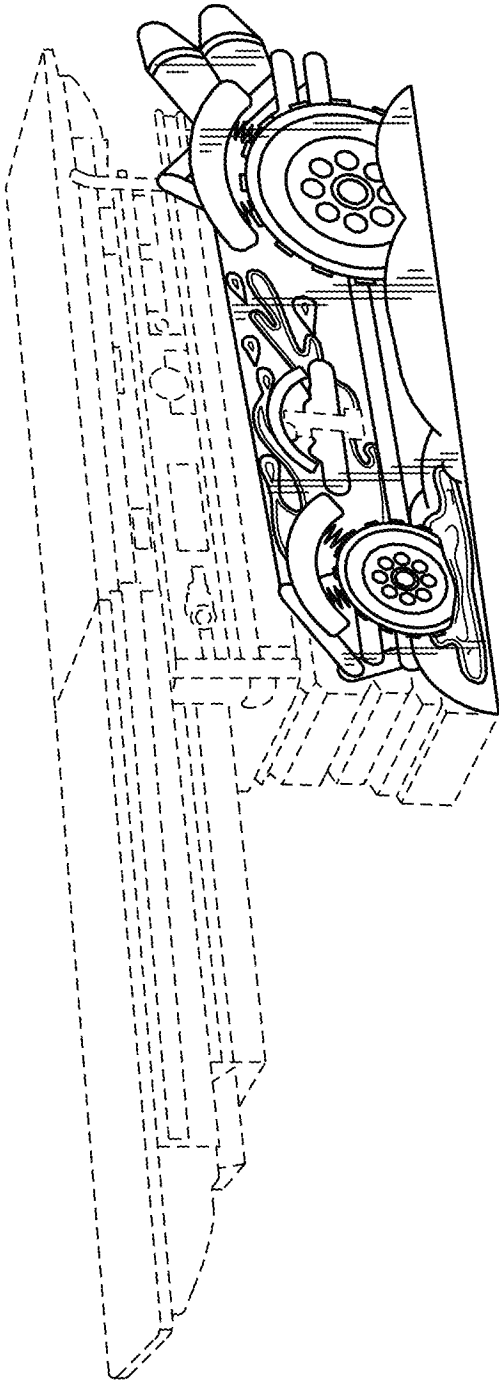


FIG. 1

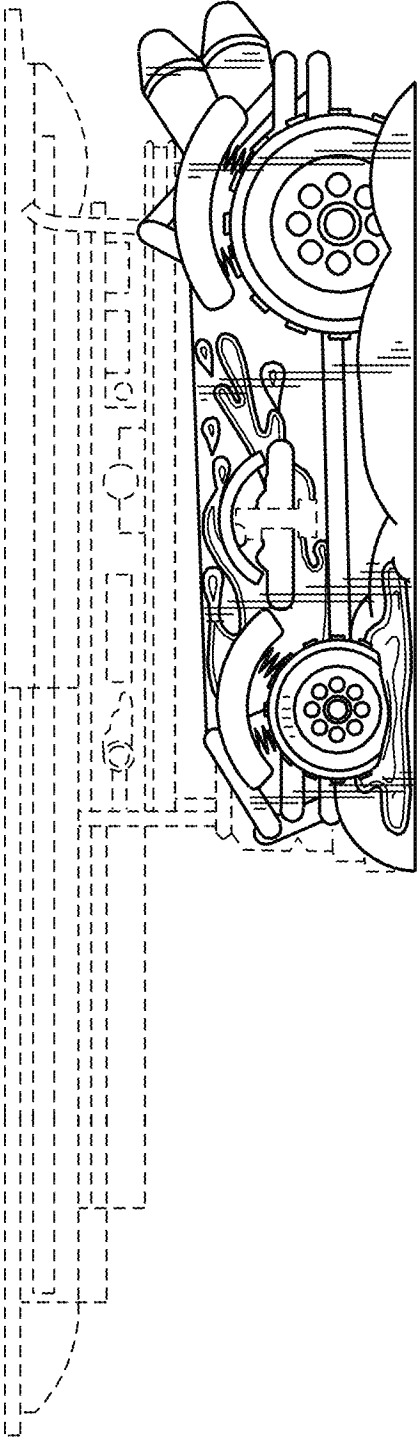


FIG. 2

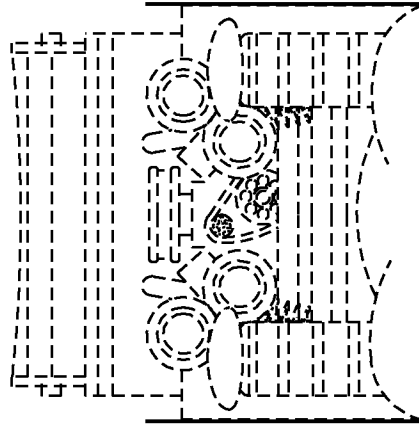


FIG. 4

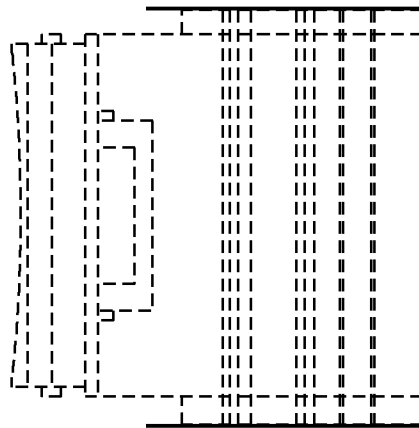


FIG. 3

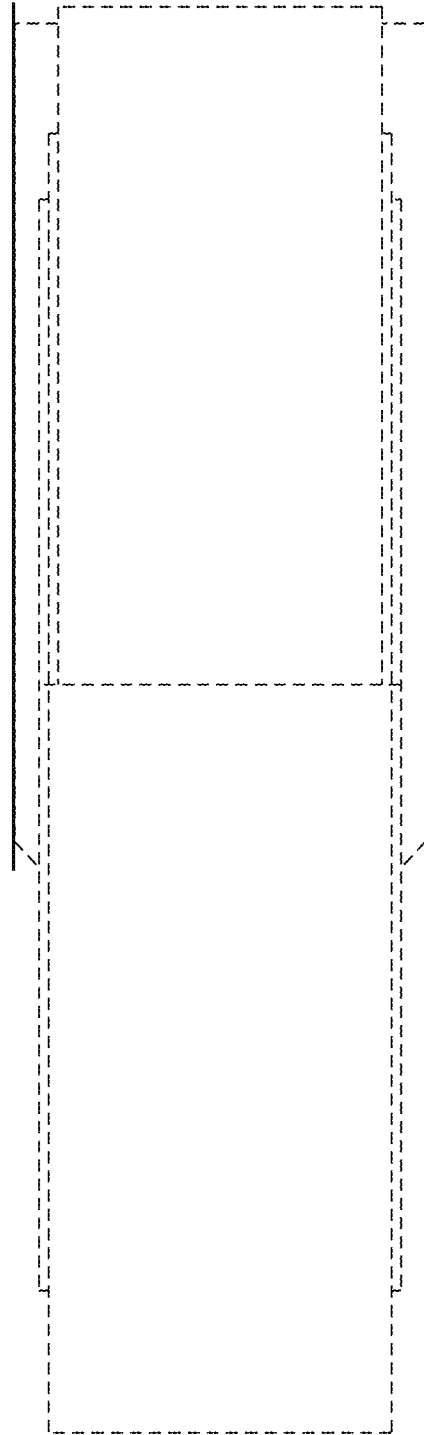


FIG. 5