



US00D628699S

(12) **United States Design Patent**
Dietz

(10) **Patent No.:** **US D628,699 S**

(45) **Date of Patent:** **** Dec. 7, 2010**

(54) **MEDICAL IMAGING SCANNER**

D469,538 S * 1/2003 Cook D24/183
D546,951 S * 7/2007 Kemp D24/183

(75) **Inventor:** **Douglas P. Dietz**, Pewaukee, WI (US)

* cited by examiner

(73) **Assignee:** **General Electric Company**,
Schenectady, NY (US)

Primary Examiner—T. Chase Nelson

Assistant Examiner—Anhdao Doan

(**) **Term:** **14 Years**

(74) *Attorney, Agent, or Firm*—Ziolkowski Patent Solutions
Group, SC

(21) **Appl. No.:** **29/353,053**

(57) **CLAIM**

(22) **Filed:** **Dec. 31, 2009**

The ornamental design for a medical imaging scanner, as
shown and described herein.

(51) **LOC (9) Cl.** **24-01**

(52) **U.S. Cl.** **D24/159**

(58) **Field of Classification Search** D24/158–161,
D24/186, 183–185; 378/4, 19–21, 23, 25,
378/27, 146; 5/601, 607, 611
See application file for complete search history.

DESCRIPTION

FIG. 1 is a perspective view of a medical imaging scanner
having a design thereon in accordance with an embodiment of
the present invention.

(56) **References Cited**

FIG. 2 is a side elevational view of the medical imaging
scanner of FIG. 1.

U.S. PATENT DOCUMENTS

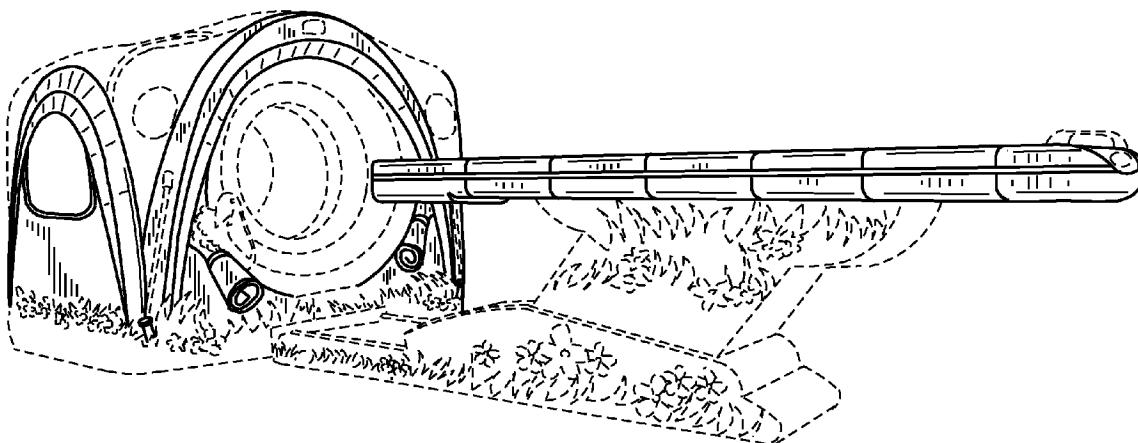
FIG. 3 is a front elevational view of the medical imaging
scanner of FIG. 1; and,

- D270,182 S * 8/1983 Wagner D24/159
- D300,849 S * 4/1989 Steinhilber et al. D24/159
- D323,386 S * 1/1992 Perusek D24/159
- D345,606 S * 3/1994 Perusek D24/159
- D347,063 S * 5/1994 Ariyoshi et al. D24/159
- D383,543 S * 9/1997 Kemp D24/183
- D386,261 S * 11/1997 Lee et al. D24/159
- D447,803 S * 9/2001 Yanagihara et al. D24/159
- D468,827 S * 1/2003 Cook D24/183

FIG. 4 is a top plan view of the medical imaging scanner of
FIG. 1.

The broken lines in the drawing views are included for the
purpose of illustrating portions of the medical imaging scan-
ner that form no part of the claimed design.

1 Claim, 4 Drawing Sheets



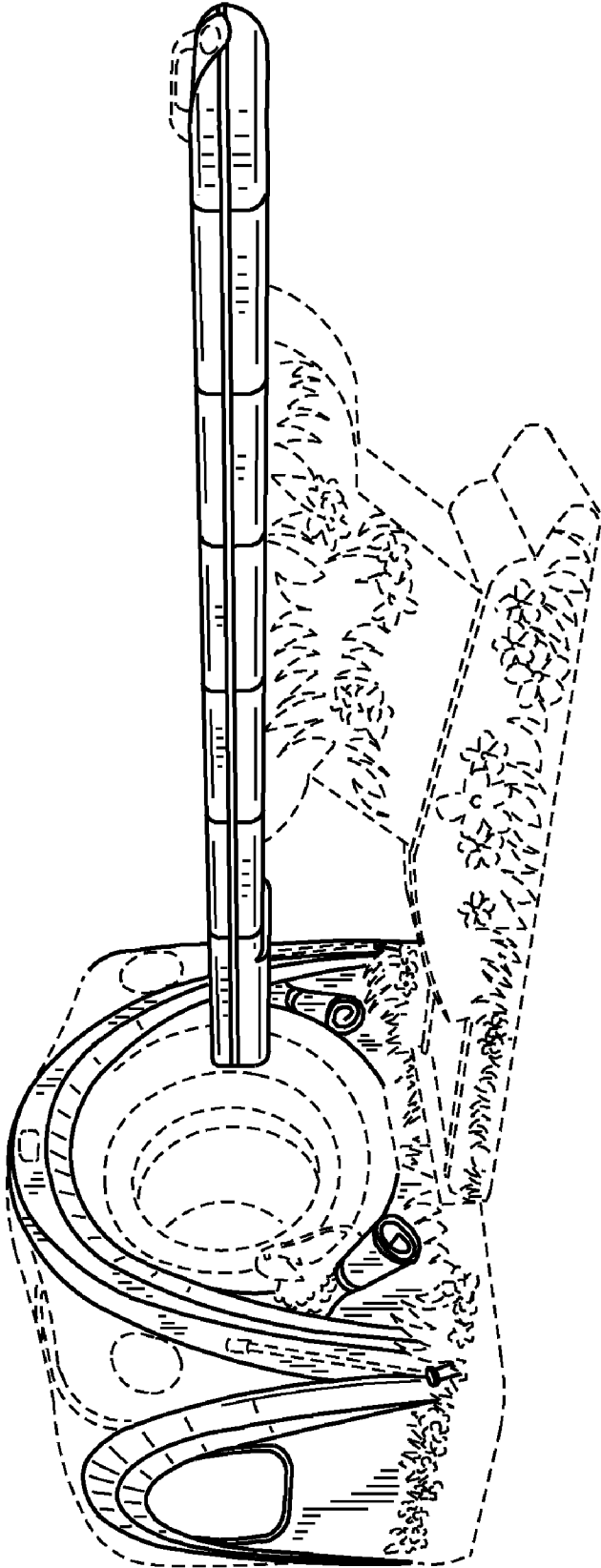


FIG. 1

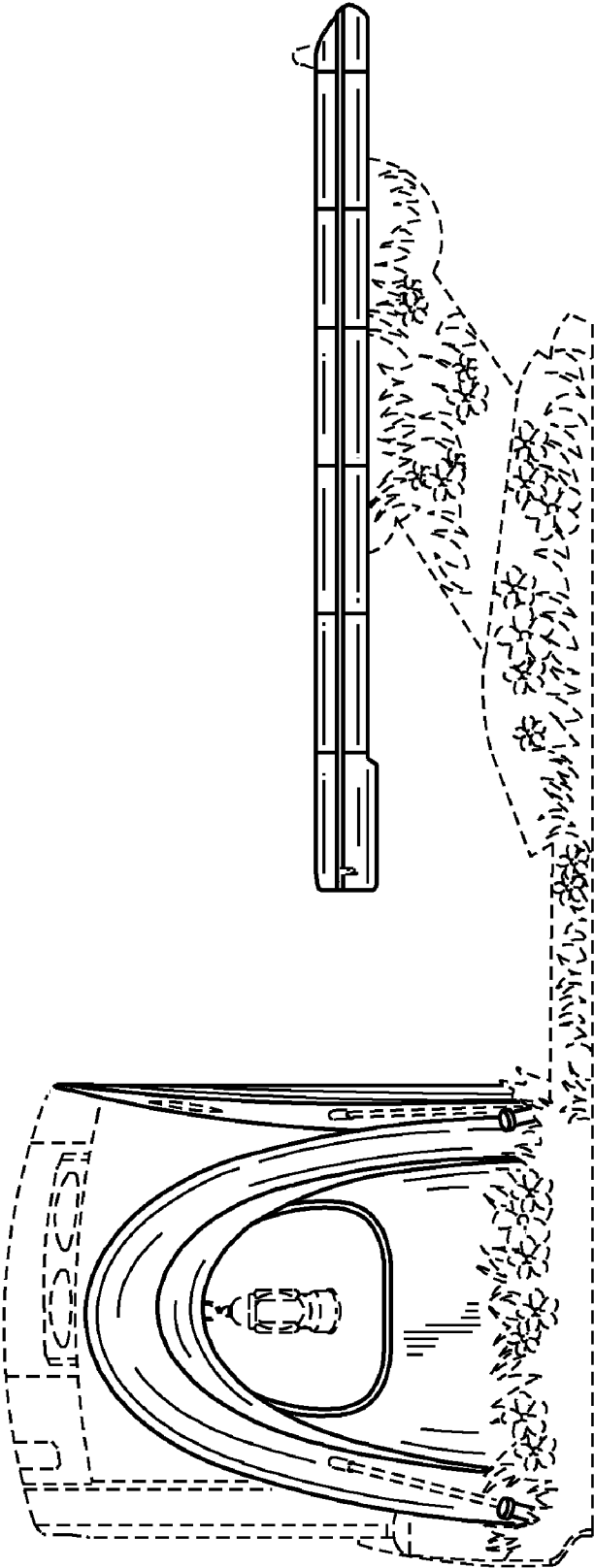


FIG. 2

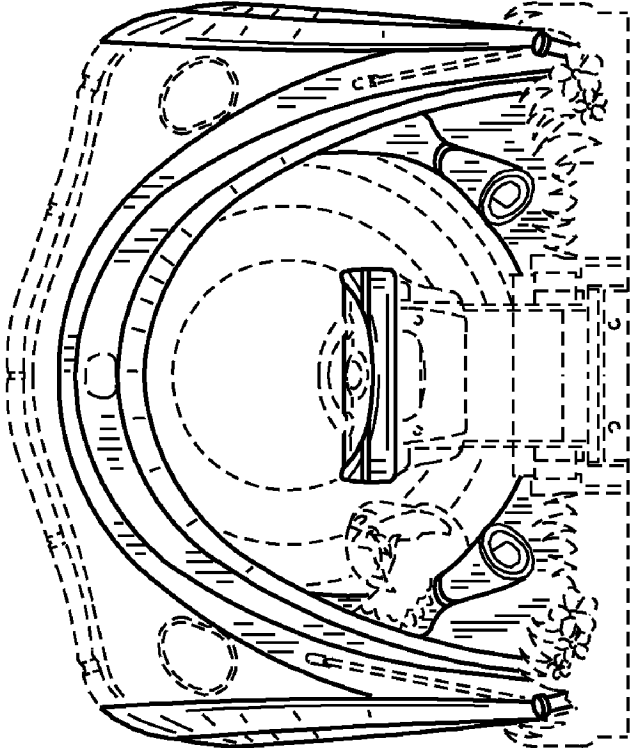


FIG. 3

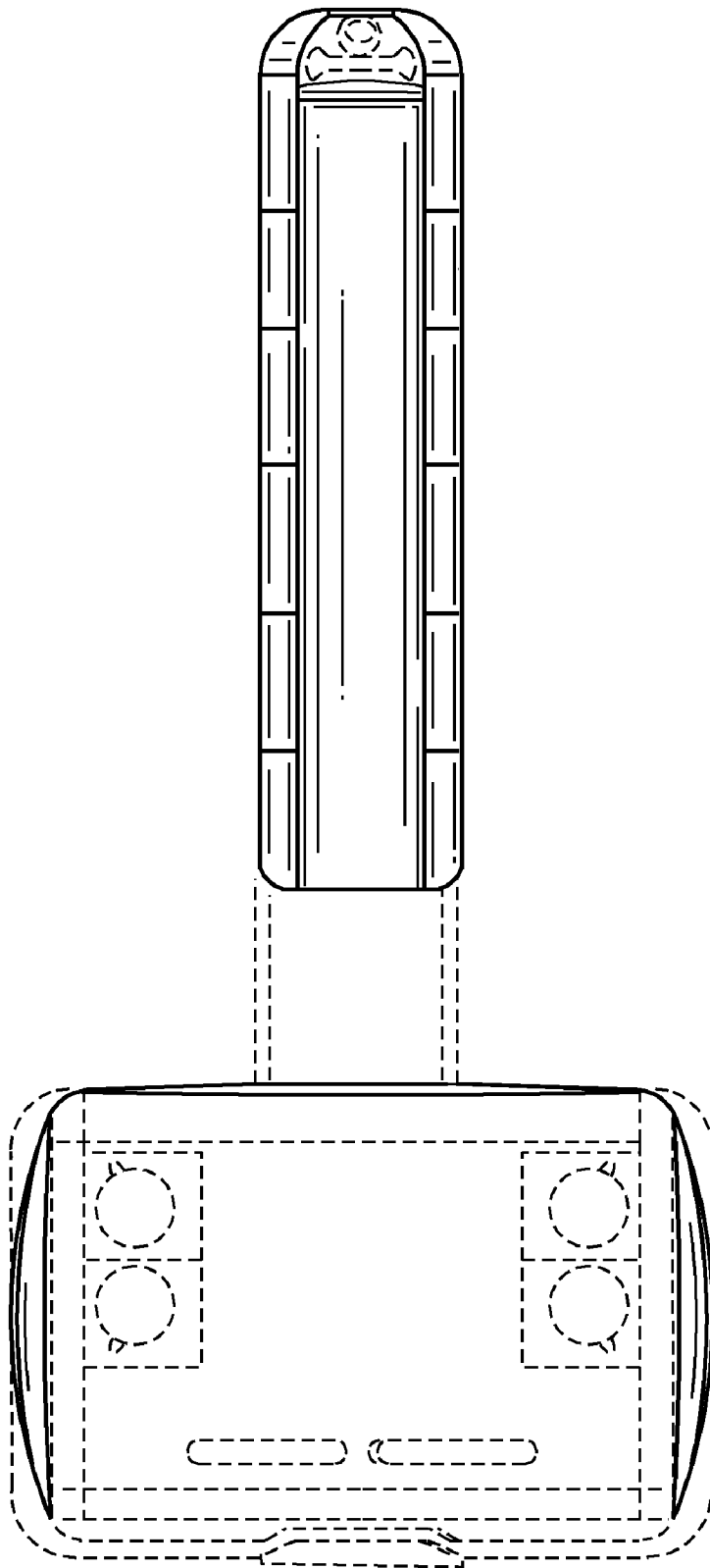


FIG. 4