



US00D623299S

(12) **United States Design Patent**  
**Dietz**

(10) **Patent No.:** **US D623,299 S**

(45) **Date of Patent:** **\*\* Sep. 7, 2010**

(54) **MEDICAL IMAGING SCANNER**

D546,951 S \* 7/2007 Kemp ..... D24/183

\* cited by examiner

(75) Inventor: **Douglas P. Dietz**, Pewaukee, WI (US)

*Primary Examiner*—T. Chase Nelson

(73) Assignee: **General Electric Company**,  
Schenectady, NY (US)

*Assistant Examiner*—Anhdao Doan

(74) *Attorney, Agent, or Firm*—Ziolkowski Patent Solutions  
Group, SC

(\*\*) Term: **14 Years**

(21) Appl. No.: **29/353,048**

(57) **CLAIM**

(22) Filed: **Dec. 31, 2009**

The ornamental design for a medical imaging scanner, as shown and described herein.

(51) **LOC (9) Cl.** ..... **24-01**

(52) **U.S. Cl.** ..... **D24/158**

(58) **Field of Classification Search** ..... D24/158–161,  
D24/186, 183–185; 378/4, 19–21, 23, 25,  
378/27, 146; 5/601, 607, 611  
See application file for complete search history.

**DESCRIPTION**

FIG. 1 is a perspective view of a medical imaging scanner having a design thereon in accordance with an embodiment of the present invention.

FIG. 2 is a side elevational view of the medical imaging scanner of FIG. 1.

FIG. 3 is a front elevational view of the medical imaging scanner of FIG. 1.

FIG. 4 is a rear elevational view of the medical imaging scanner of FIG. 1; and,

FIG. 5 is a top plan view of the medical imaging scanner of FIG. 1.

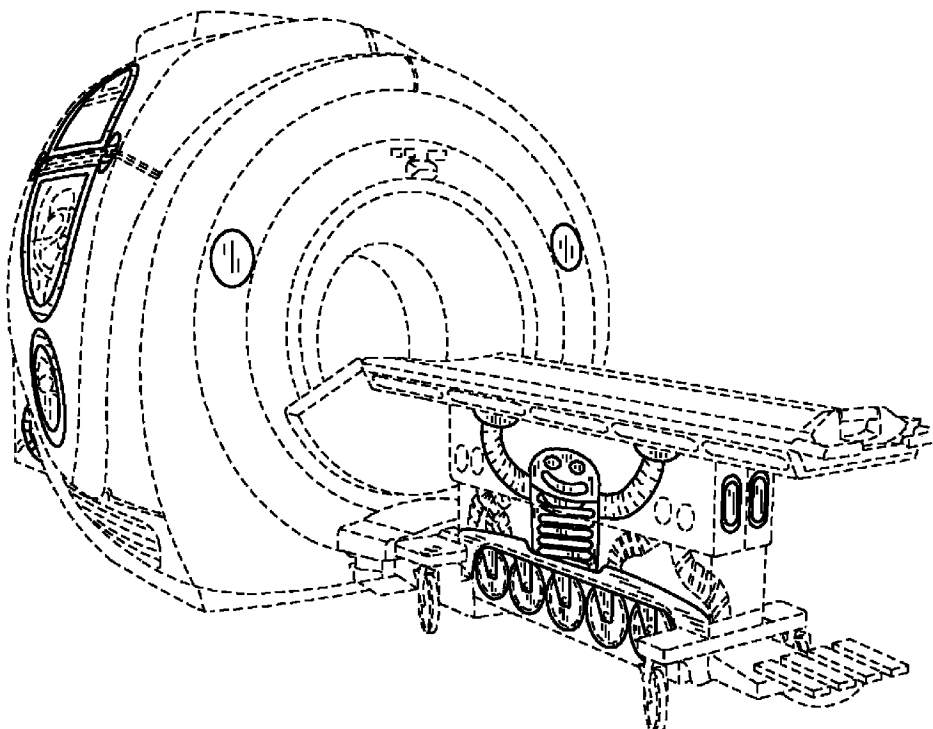
The broken lines in the drawing views are included for the purpose of illustrating portions of the medical imaging scanner that form no part of the claimed design.

(56) **References Cited**

**U.S. PATENT DOCUMENTS**

D270,182 S *	8/1983	Wagner	.....	D24/159
D300,849 S *	4/1989	Steinhilber et al.	.....	D24/159
D323,386 S *	1/1992	Perusek	.....	D24/159
D345,606 S *	3/1994	Perusek	.....	D24/159
D347,063 S *	5/1994	Ariyoshi et al.	.....	D24/159
D383,543 S *	9/1997	Kemp	.....	D24/183
D386,261 S *	11/1997	Lee et al.	.....	D24/159
D447,803 S *	9/2001	Yanagihara et al.	.....	D24/159
D468,827 S *	1/2003	Cook	.....	D24/183
D469,538 S *	1/2003	Cook	.....	D24/183

**1 Claim, 4 Drawing Sheets**



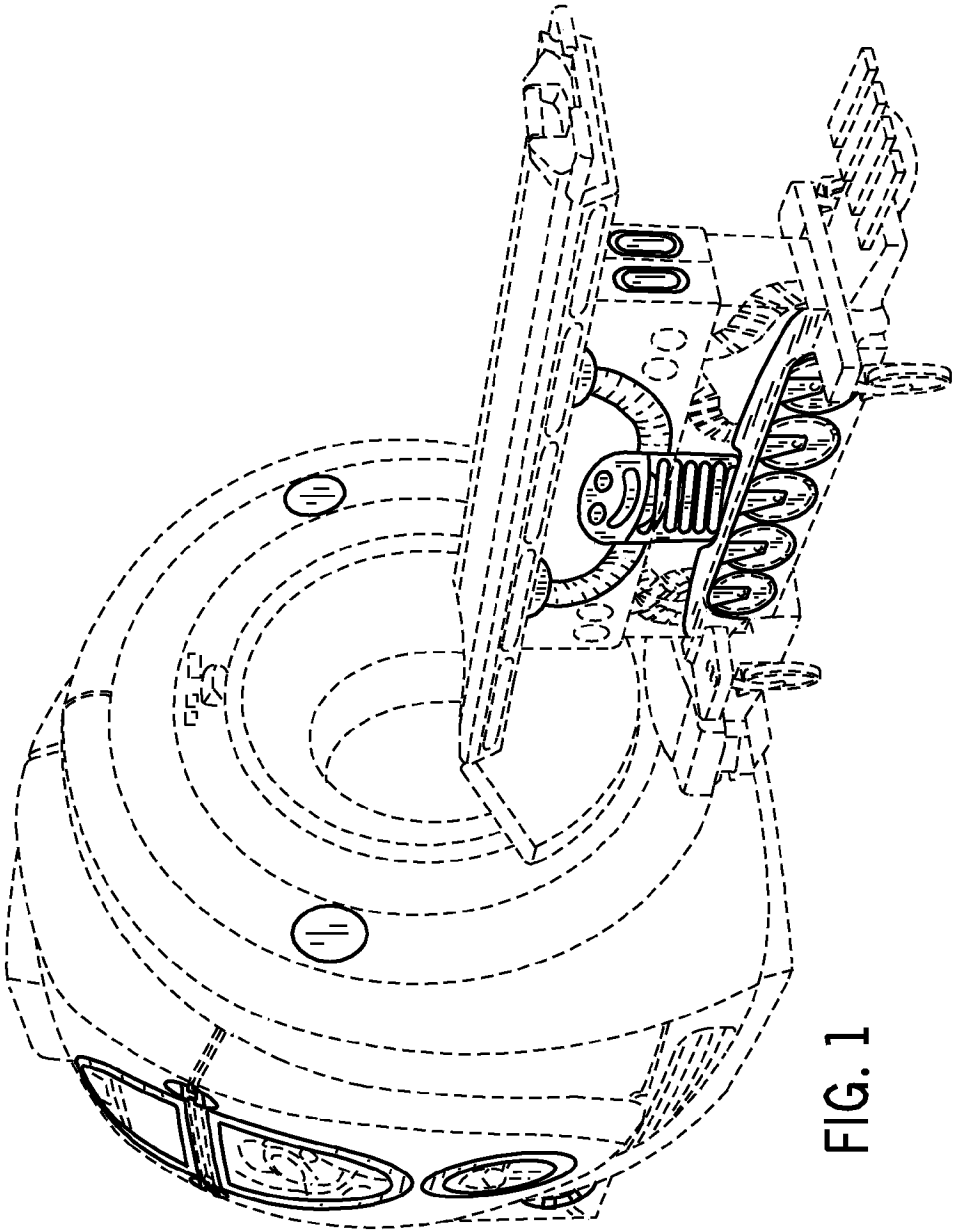


FIG. 1

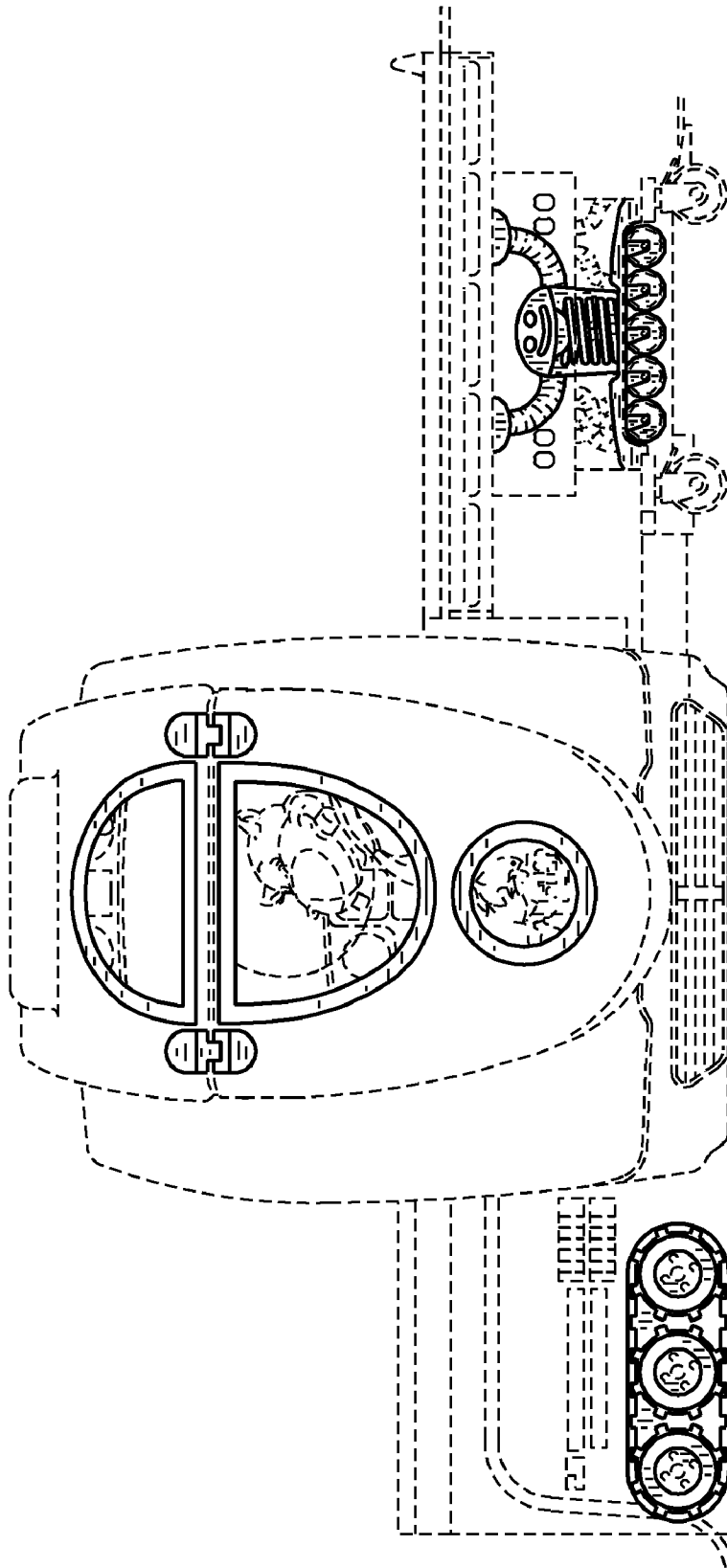


FIG. 2

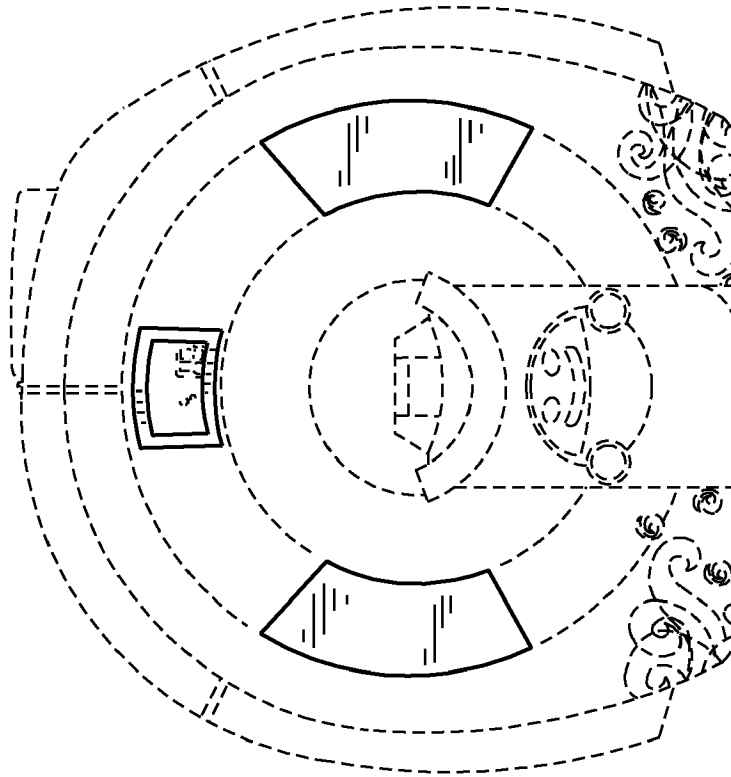


FIG. 4

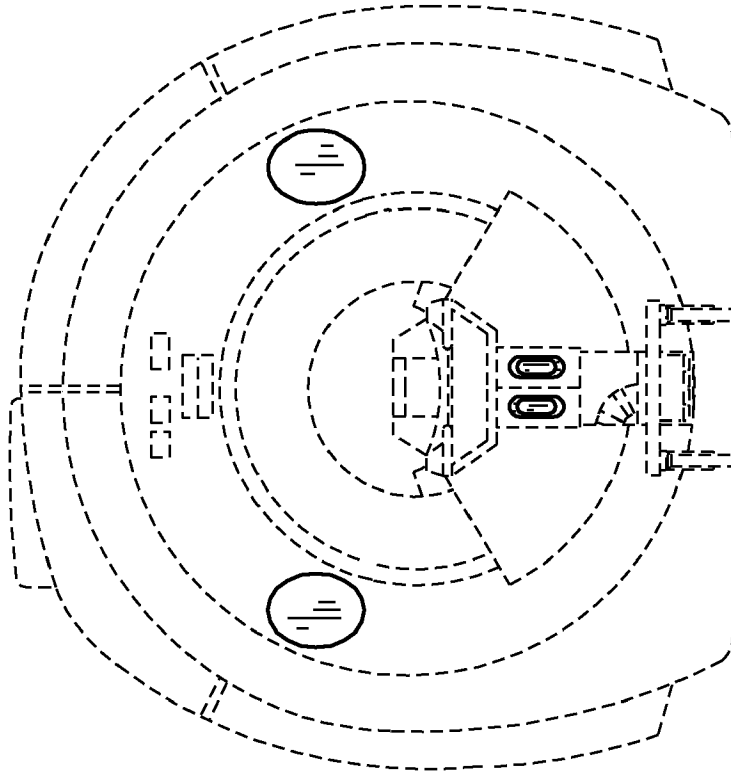


FIG. 3

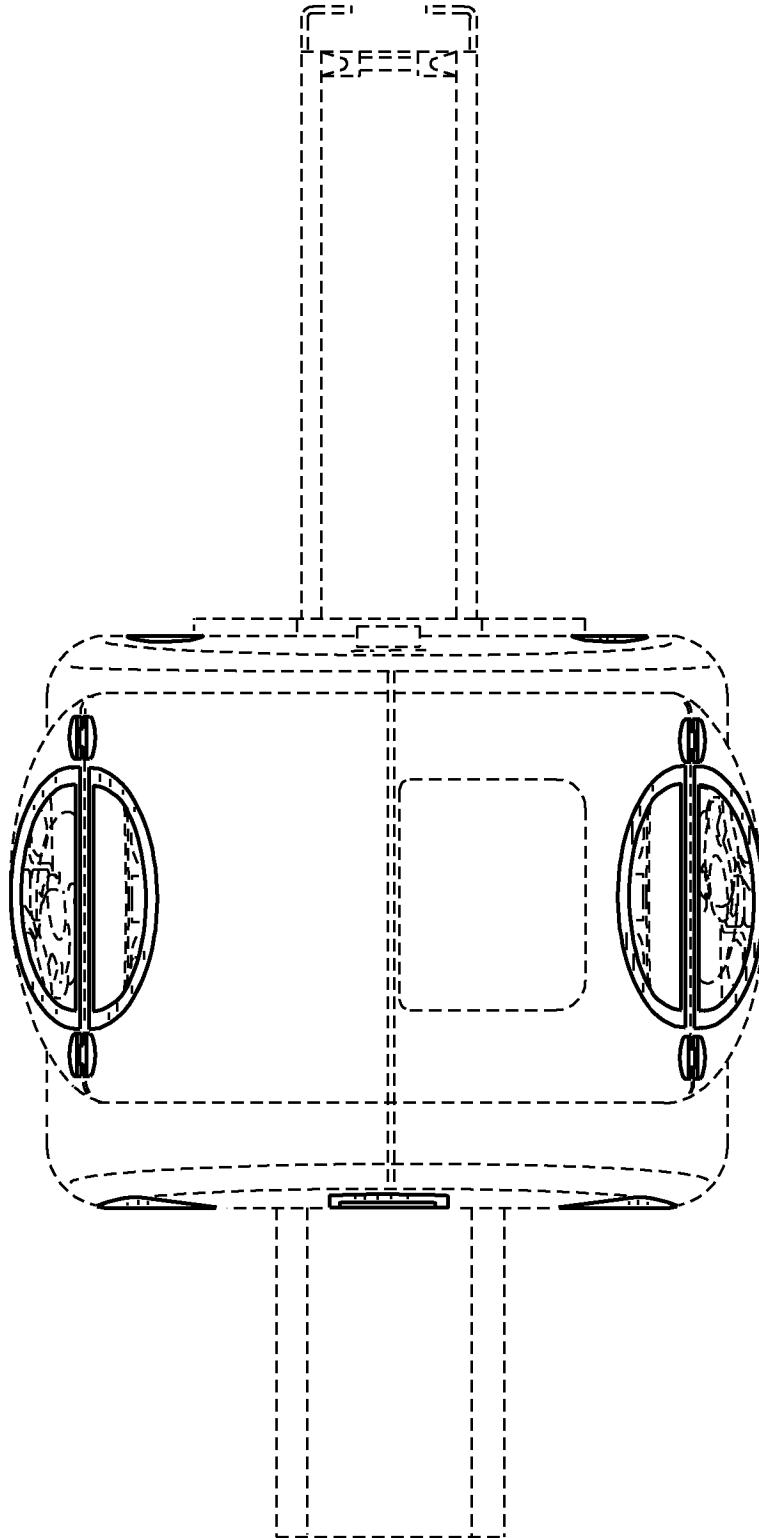


FIG. 5