



(12) **United States Design Patent**  
**Brockway**

(10) **Patent No.:** **US D617,351 S**  
(45) **Date of Patent:** **\*\* Jun. 8, 2010**

- (54) **HORIZONTAL SCISSOR TIP COMPACTION CLEAT**
- (75) Inventor: **Robert John Brockway**, Scottsboro, AL (US)
- (73) Assignee: **Terra Compactor Wheel Corp.**, Scottsboro, AL (US)
- (\*\*) Term: **14 Years**
- (21) Appl. No.: **29/346,671**
- (22) Filed: **Nov. 4, 2009**

6,042,192 A *	3/2000	Brockway	301/43
D430,172 S *	8/2000	Kesavan	D15/28
6,273,516 B1 *	8/2001	Brockway	301/43
D453,940 S *	2/2002	McCartney	D15/28
D476,018 S *	6/2003	Hayashi et al.	D15/28
6,652,186 B2 *	11/2003	Bierwith	404/124
6,991,401 B1 *	1/2006	Caron	404/124
7,108,452 B2 *	9/2006	Caron et al.	404/124
7,163,354 B2 *	1/2007	Runestad	404/129
D538,828 S *	3/2007	Stern	D15/28
7,198,333 B1 *	4/2007	Freeman	301/43
2002/0048489 A1 *	4/2002	Caron et al.	404/124
2003/0063951 A1 *	4/2003	Bierwith	404/124
2004/0033107 A1 *	2/2004	Caron et al.	404/124
2009/0045669 A1 *	2/2009	McPhail et al.	301/43

- (51) **LOC (9) Cl.** ..... **15-03**
  - (52) **U.S. Cl.** ..... **D15/28; D15/29; D15/20**
  - (58) **Field of Classification Search** ..... **D15/20, D15/21, 28, 29; D12/604; 404/121, 90, 404/124; 301/43, 44.1-44.6; 172/122, 540, 172/554**
- See application file for complete search history.

\* cited by examiner

*Primary Examiner*—Mark A Goodwin  
(74) *Attorney, Agent, or Firm*—Ziolkowski Patent Solutions Group, SC

(56) **References Cited**

U.S. PATENT DOCUMENTS

3,650,185 A *	3/1972	Takata	404/121
3,891,341 A *	6/1975	Trainor et al.	404/121
4,074,942 A *	2/1978	Cochran	404/121
4,481,728 A *	11/1984	Mulder et al.	37/452
4,668,122 A *	5/1987	Riddle	404/121
4,919,566 A *	4/1990	Caron et al.	404/121
H946 H *	8/1991	Lonn	404/121
5,217,321 A *	6/1993	Corcoran et al.	404/121
5,217,322 A *	6/1993	Corcoran et al.	404/121
D338,677 S *	8/1993	Corcoran et al.	D15/28
D338,898 S *	8/1993	Corcoran et al.	D15/28
5,358,355 A *	10/1994	Brockway	
D359,054 S *	6/1995	Gale et al.	D15/20
5,581,914 A *	12/1996	Sinykin	37/223
D379,630 S *	6/1997	Brockway	D15/29
5,676,493 A *	10/1997	Brockway	405/271
5,687,799 A *	11/1997	Greenfield et al.	172/540

(57) **CLAIM**

The ornamental design for a horizontal scissor tip compaction cleat, as shown and described.

**DESCRIPTION**

FIG. 1 is a perspective view of a horizontal scissor tip cleat in accordance with an embodiment of the present invention.

FIG. 2 is a side elevational view of the horizontal scissor tip cleat of FIG. 1.

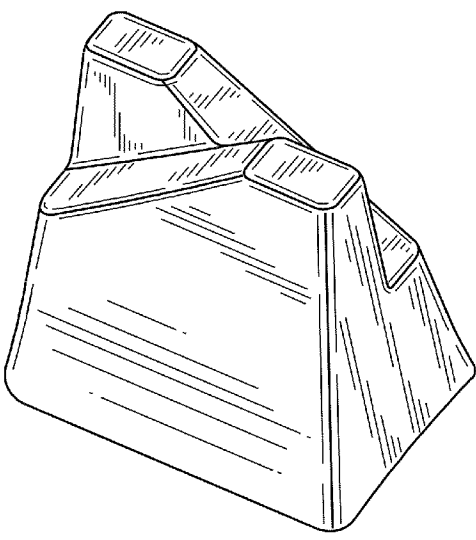
FIG. 3 is an end elevational view of the horizontal scissor tip cleat of FIG. 1.

FIG. 4 is a top plan view of the horizontal scissor tip cleat of FIG. 1; and,

FIG. 5 is a bottom plan view of the horizontal scissor tip cleat of FIG. 1.

The broken lines shown in all figures are for illustrative purposes only and form no part of the claimed design.

**1 Claim, 4 Drawing Sheets**



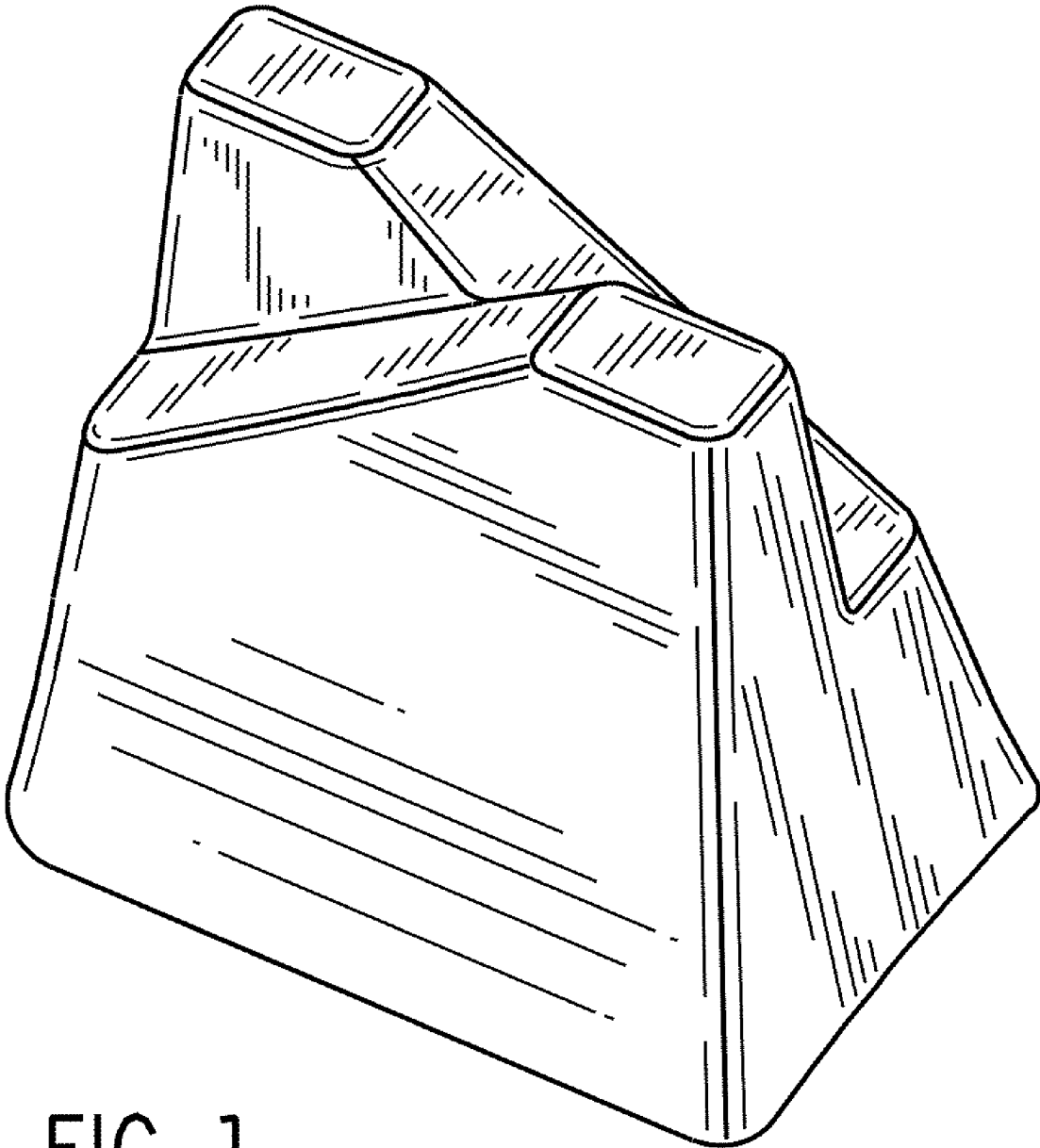


FIG. 1

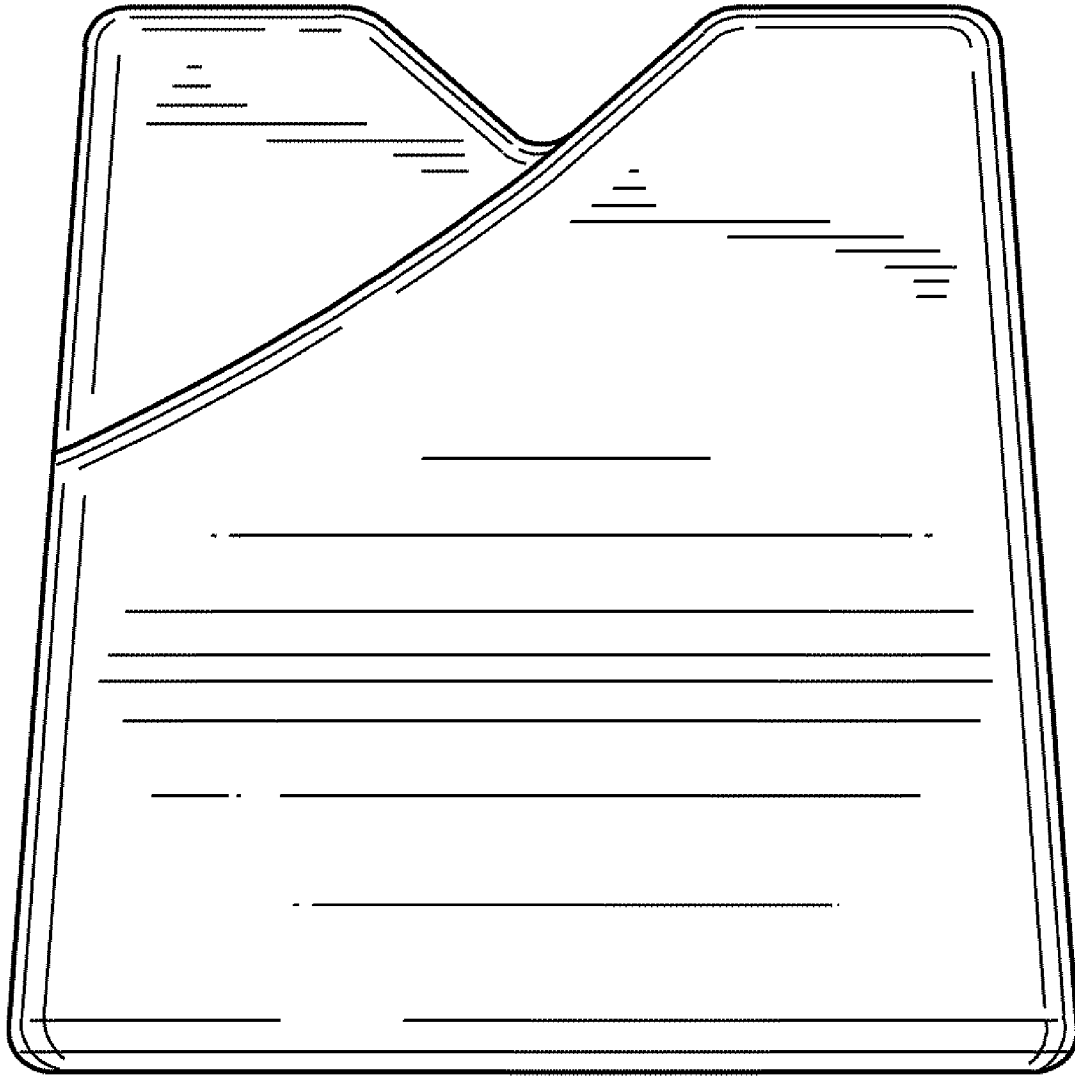


FIG. 2

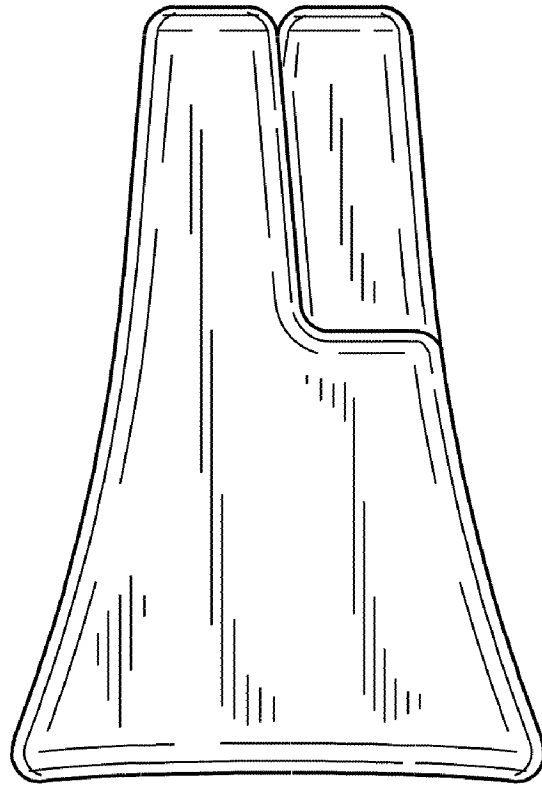


FIG. 3

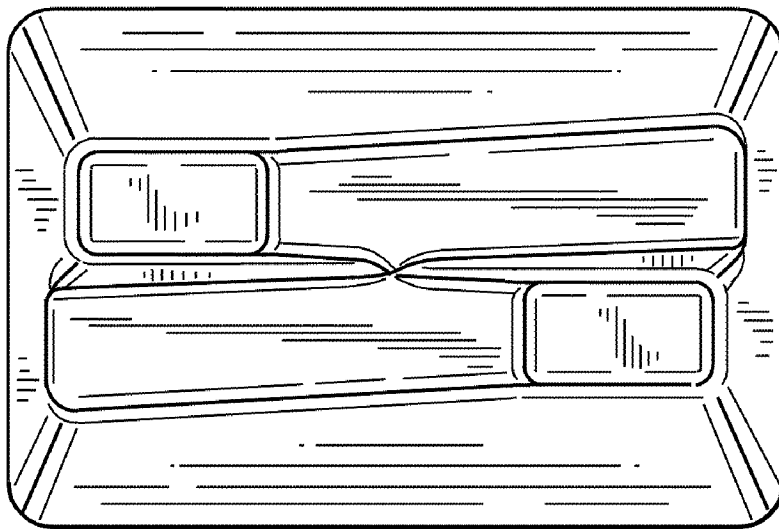


FIG. 4

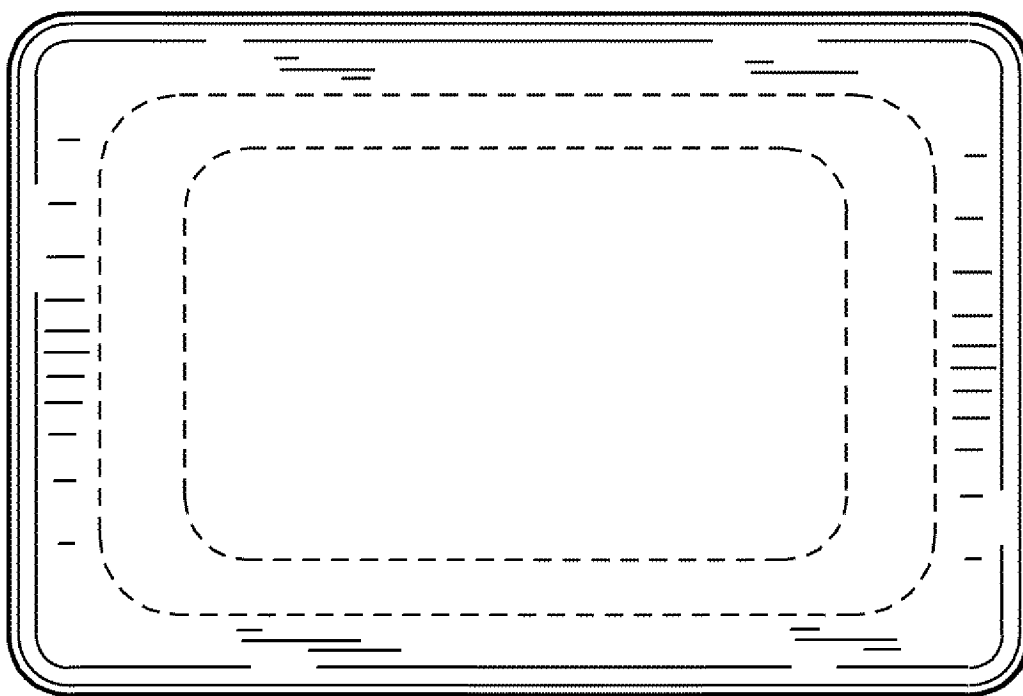


FIG. 5