



US00D615563S

(12) **United States Design Patent**
Brockway

(10) **Patent No.:** **US D615,563 S**

(45) **Date of Patent:** **** May 11, 2010**

(54) **MOVABLE AXLE GUARD FOR A
COMPACTOR WHEEL**

6,042,192 A	3/2000	Brockway	
6,076,843 A *	6/2000	Sewell	280/157
6,273,516 B1	8/2001	Brockway	
6,322,170 B1 *	11/2001	Knell et al.	305/107
D486,763 S *	2/2004	Nunez	D12/160

(75) Inventor: **Robert John Brockway**, Scottsboro, AL (US)

(73) Assignee: **Terra Compactor Wheel Corp.**, Scottsboro, AL (US)

(**) Term: **14 Years**

(Continued)

(21) Appl. No.: **29/351,363**

Primary Examiner—Ian Simmons

Assistant Examiner—Mark A Goodwin

(22) Filed: **Dec. 4, 2009**

(74) *Attorney, Agent, or Firm*—Ziolkowski Patent Solutions Group, SC

Related U.S. Application Data

(63) Continuation of application No. 11/328,391, filed on Jan. 9, 2006.

(57) **CLAIM**

The ornamental design for a movable axle guard for a compactor wheel, as shown and described.

(51) **LOC (9) Cl.** **15-03**

(52) **U.S. Cl.** **D15/28**

(58) **Field of Classification Search** D15/10, D15/20, 28; 305/100, 107, 110, 115; 301/43, 301/45, 46, 47, 48, 49; 172/538, 540, 547, 172/554, 559, 606, 608, 610, 112
See application file for complete search history.

DESCRIPTION

FIG. 1 is a perspective view of a compactor wheel having a movable axle guard in accordance with an embodiment of the present invention.

(56) **References Cited**

U.S. PATENT DOCUMENTS

1,182,662 A	5/1916	Eby	
1,305,303 A	6/1919	Nelson	
3,340,783 A	9/1967	Edminster	
4,530,620 A	7/1985	McCartney	
5,174,775 A *	12/1992	Birch	439/188
5,209,050 A	5/1993	Carrigan	
5,286,573 A *	2/1994	Prinz et al.	264/308
5,330,260 A	7/1994	Freeman	
5,358,355 A	10/1994	Brockway	
D379,630 S	6/1997	Brockway	
5,676,493 A	10/1997	Brockway	
5,687,799 A	11/1997	Greenfield et al.	
5,755,418 A *	5/1998	Kracke et al.	248/311.3
5,769,507 A	6/1998	Brockway	
5,951,123 A *	9/1999	Bomstad et al.	305/107

FIG. 2 is a side elevational view of the compactor wheel of FIG. 1.

FIG. 3 is a top plan view of the compactor wheel of FIG. 1.

FIG. 4 is an end elevational view of the compactor wheel of FIG. 1.

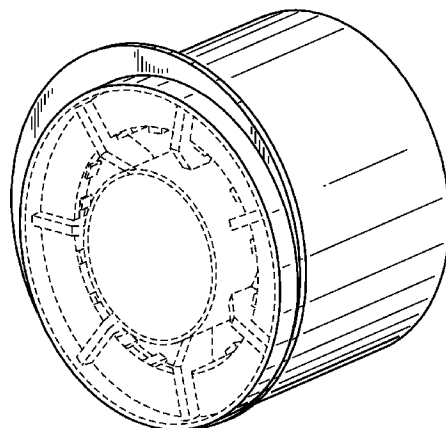
FIG. 5 is a front elevational view of the compactor wheel of FIG. 1.

FIG. 6 is a cross-sectional side view of the compactor wheel taken along line 6—6 of FIG. 3; and,

FIG. 7 is an angled end elevational view of the compactor wheel of FIG. 1.

The broken lines shown in all figures are for illustrative purposes only and form no part of the claimed design.

1 Claim, 7 Drawing Sheets



US D615,563 S

Page 2

U.S. PATENT DOCUMENTS				
		2004/0012244	A1	1/2004 Waterman et al.
		2005/0263976	A1	12/2005 Brockway
6,913,289	B2	7/2005		Brockway
D552,159	S *	10/2007	Eldridge D17/13
				2006/0244311 A1* 11/2006 Brockway 305/100
7,556,323	B1 *	7/2009	Gachhadar et al. 305/107
				2007/0280783 A1* 12/2007 Gibbins 404/124
				* cited by examiner

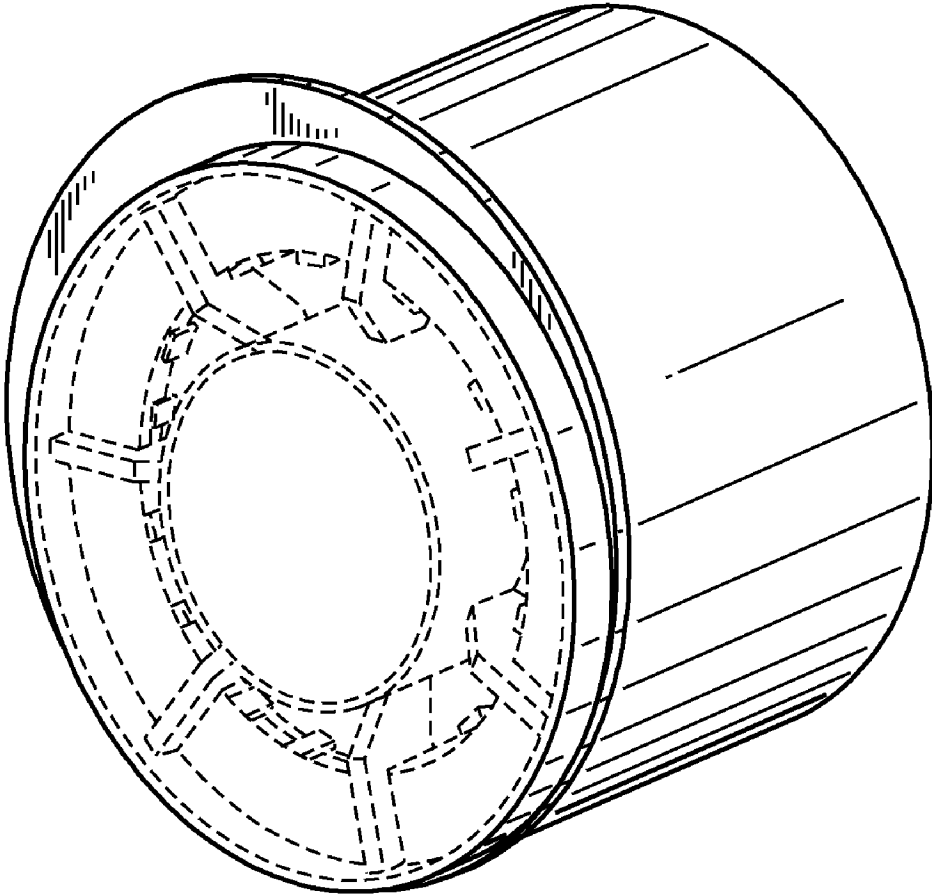


FIG. 1

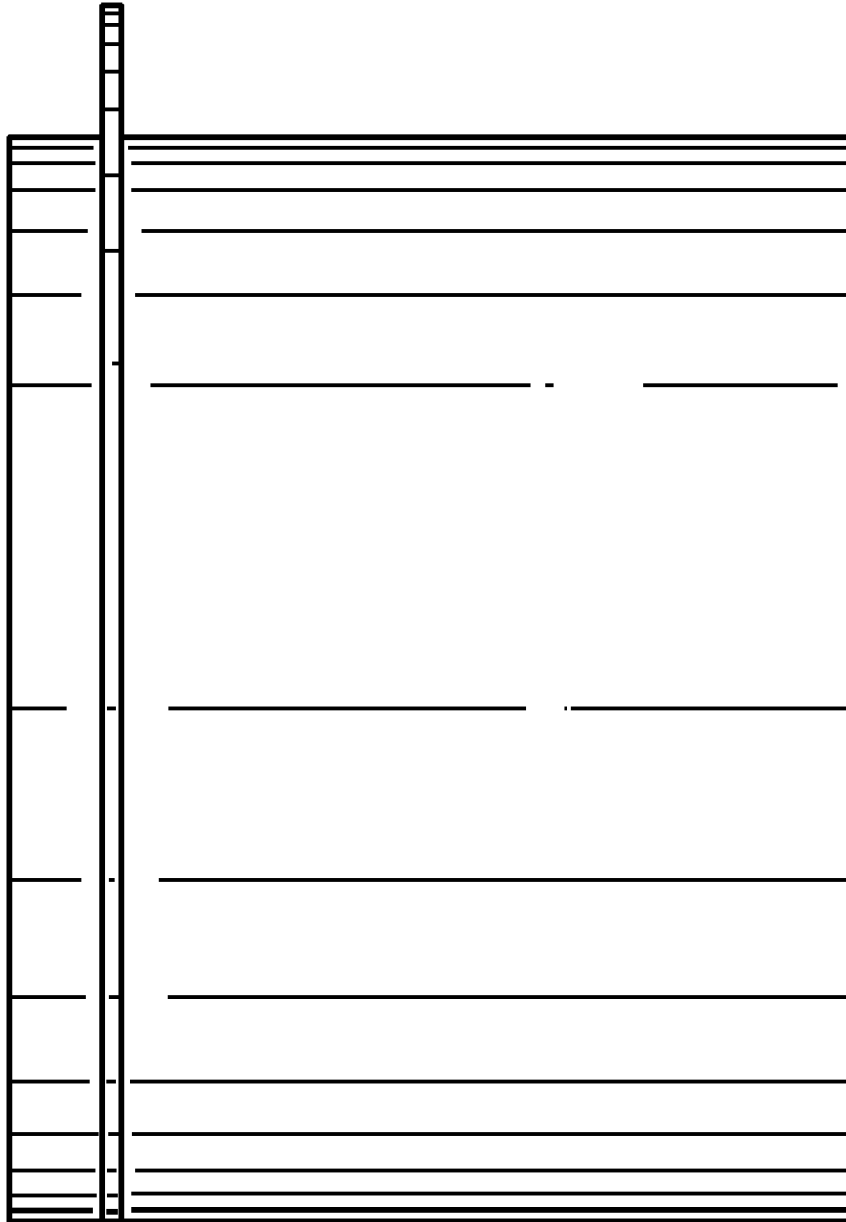


FIG. 2

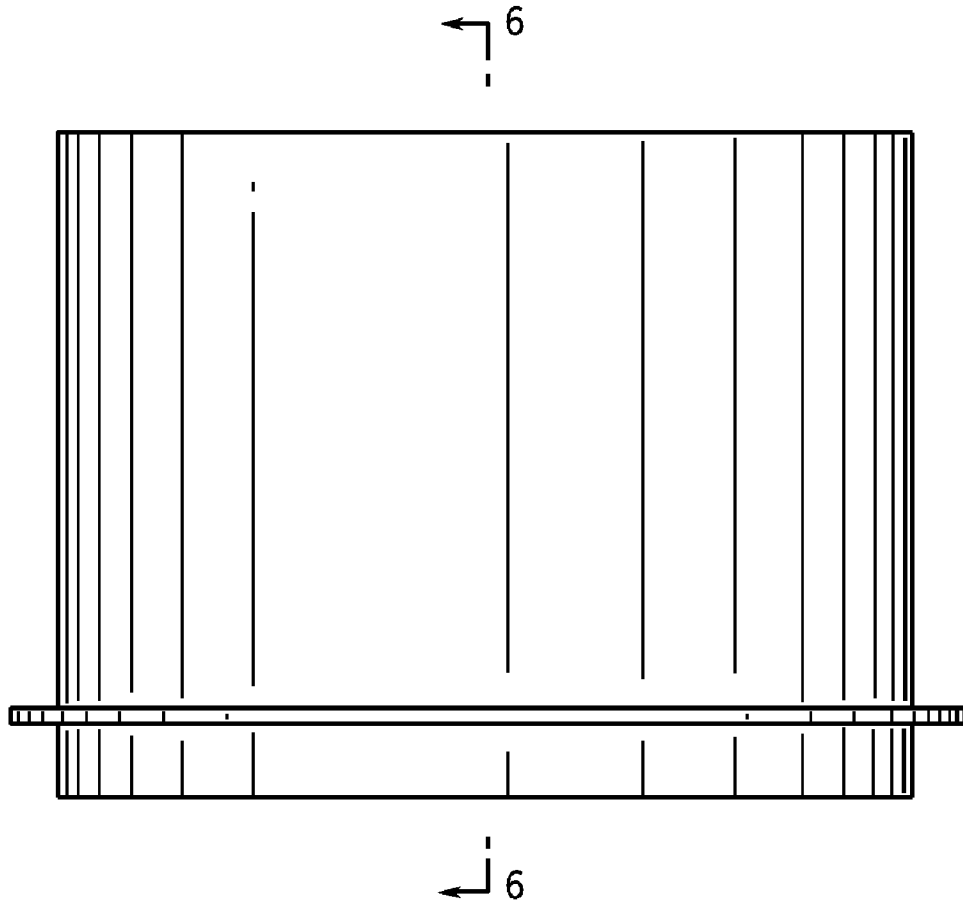


FIG. 3

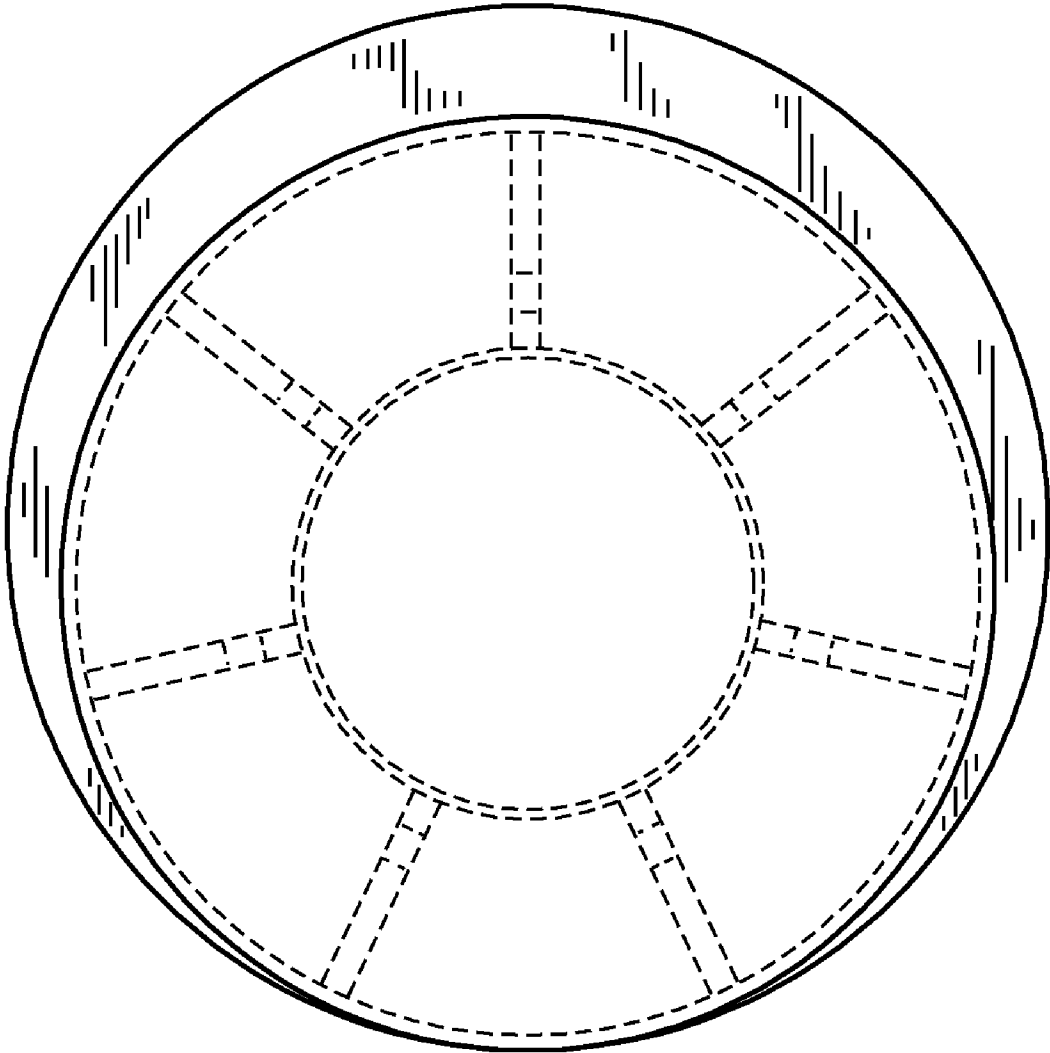


FIG. 4

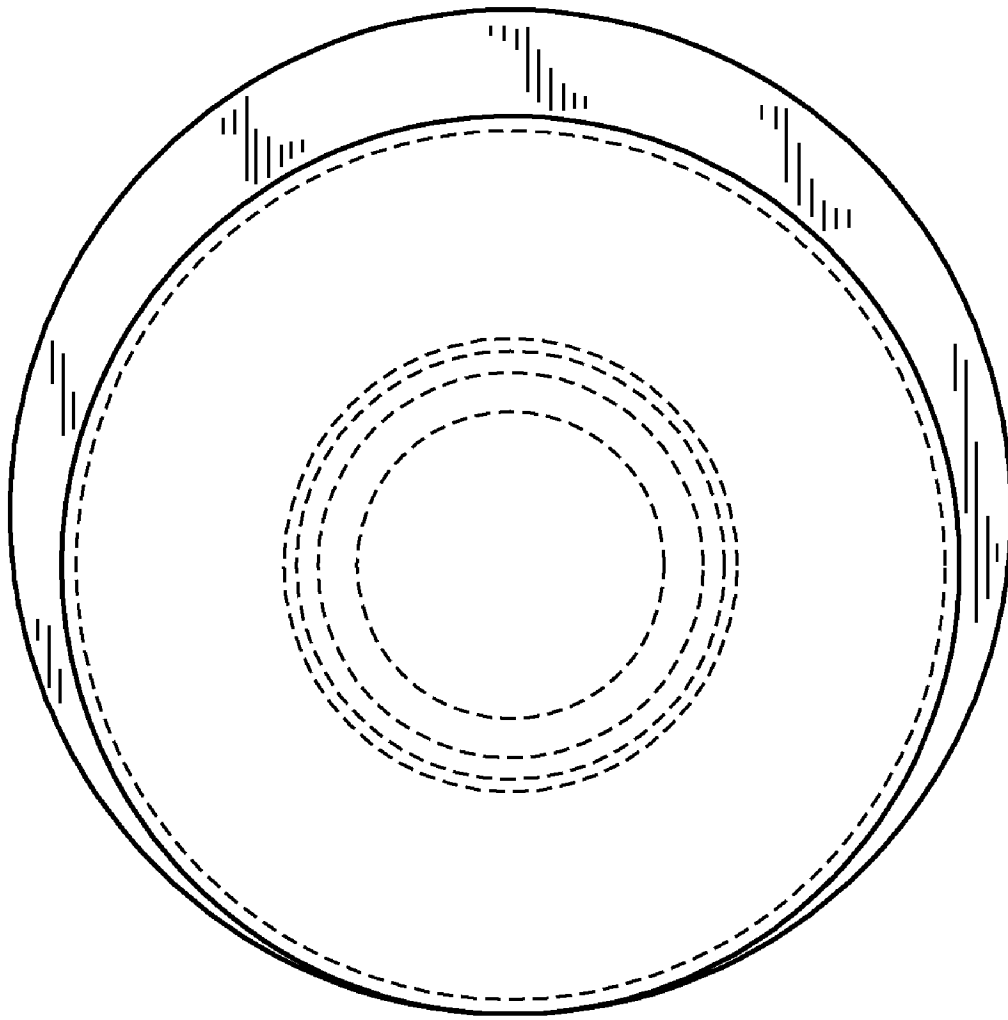


FIG. 5

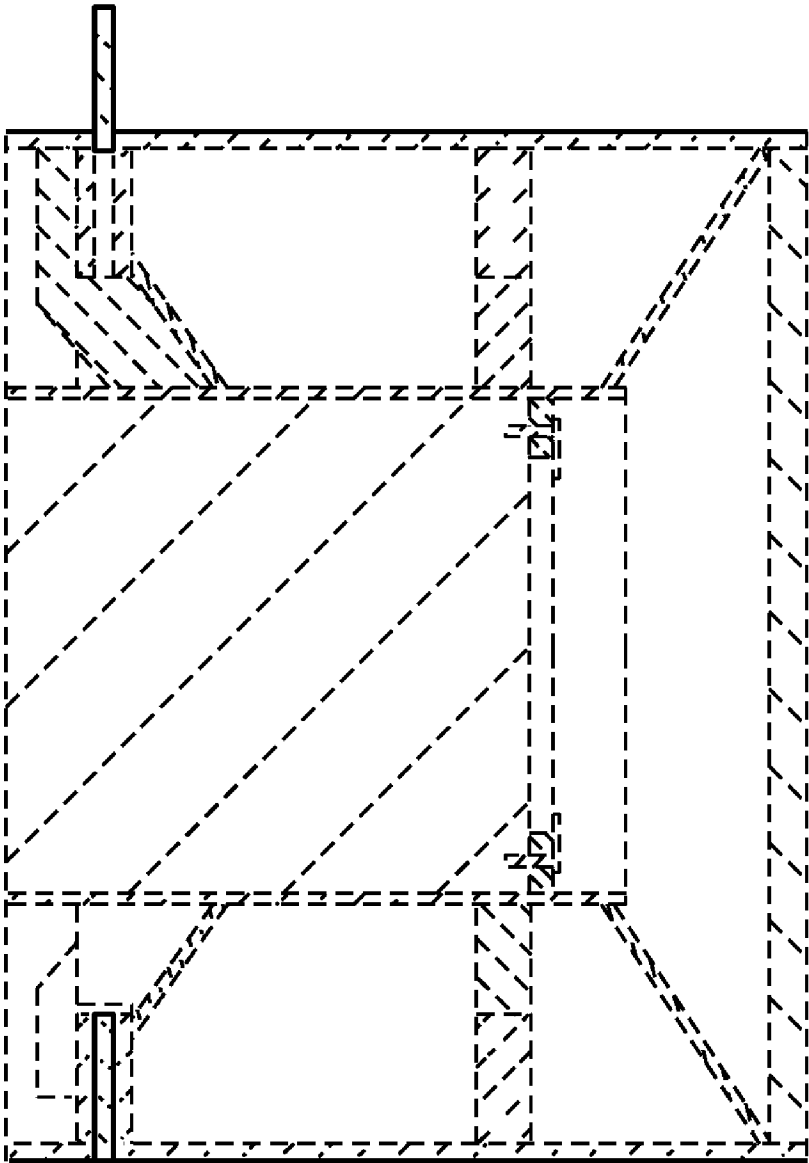


FIG. 6

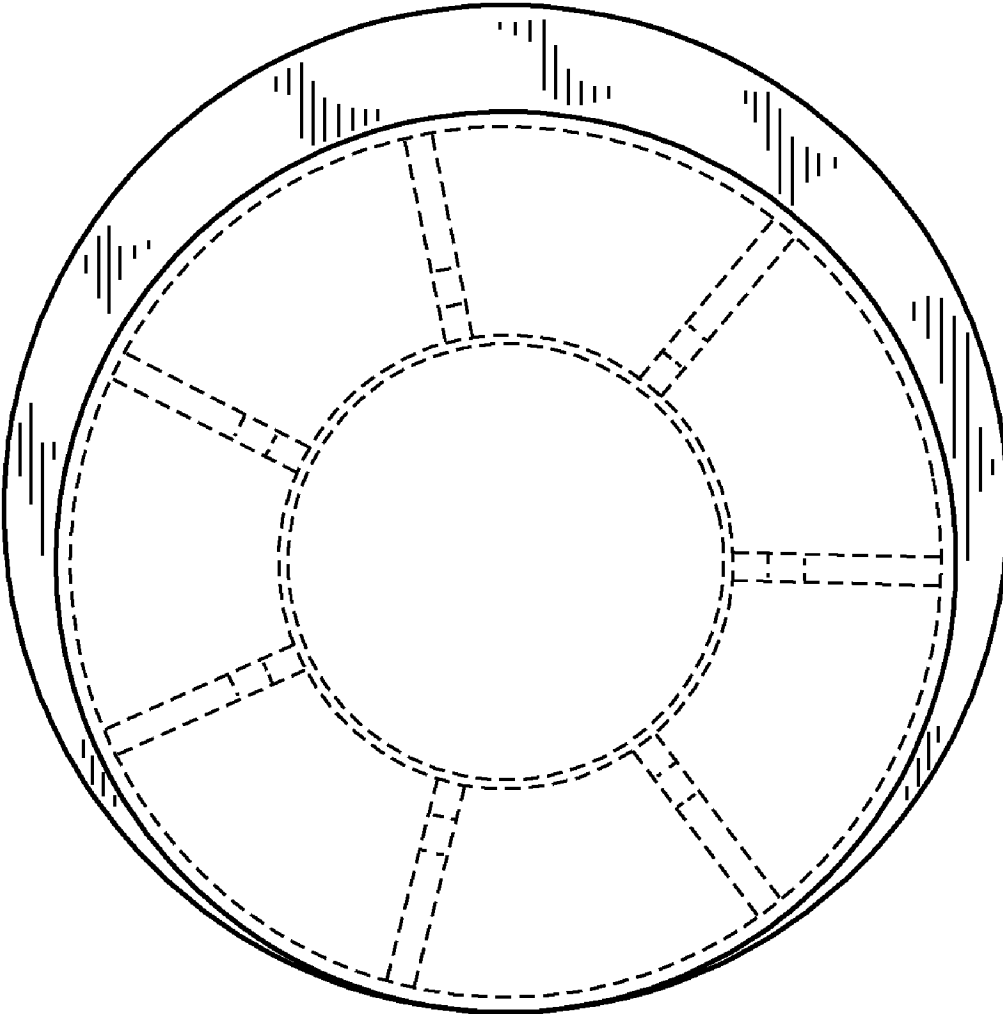


FIG. 7