



US00D575831S

(12) **United States Design Patent**
Narus et al.

(10) **Patent No.:** **US D575,831 S**

(45) **Date of Patent:** **** Aug. 26, 2008**

- (54) **BANKED AIR HOCKEY TABLE**
- (75) Inventors: **Michael H. Narus**, Hartford, WI (US);
Justin L. Voden, Eagle, WI (US)
- (73) Assignee: **Triumph Sports USA**, Eagle, WI (US)
- (**) Term: **14 Years**

6,109,607	A *	8/2000	Cartwright et al.	273/108.1
6,276,682	B1 *	8/2001	Yamashita et al.	273/126 A
6,345,820	B1 *	2/2002	Zucchi et al.	273/148 R
6,773,010	B2 *	8/2004	Zucchi et al.	273/108.1
D500,530	S *	1/2005	Zucchi et al.	D21/397
7,004,465	B2 *	2/2006	Keith	273/108
7,108,262	B2 *	9/2006	Giegerich	273/108
7,219,891	B2 *	5/2007	Giegerich et al.	273/108

- (21) Appl. No.: **29/249,779**
- (22) Filed: **Oct. 20, 2006**

* cited by examiner

Primary Examiner—Prabhakar Deshmukh
(74) *Attorney, Agent, or Firm*—Ziolkowski Patent Solutions Group, SC

- (51) **LOC (8) Cl.** **21-01**
- (52) **U.S. Cl.** **D21/318**
- (58) **Field of Classification Search** D21/312,
D21/314, 318, 322, 324, 328, 333–339; 273/108,
273/108.1, 118 R, 236, 259, 277, 138.2, 454,
273/126 R, 126 A, 148 R

(57) **CLAIM**

The ornamental design of a banked air hockey table, as shown and described.

See application file for complete search history.

DESCRIPTION

(56) **References Cited**

FIG. 1 is a top perspective view of a banked air hockey table showing our new design; and,
FIG. 2 is a top plan view thereof.
The broken lines are for illustrative purpose only and form no part of the claimed design.

U.S. PATENT DOCUMENTS

D245,718	S *	9/1977	Maloney, II	D21/318
D303,684	S *	9/1989	Matsumoto et al.	D21/318
4,872,679	A *	10/1989	Bohaski et al.	273/317.5
5,755,439	A *	5/1998	Turner	273/126 R
D400,951	S *	11/1998	Nally et al.	D21/397

1 Claim, 2 Drawing Sheets

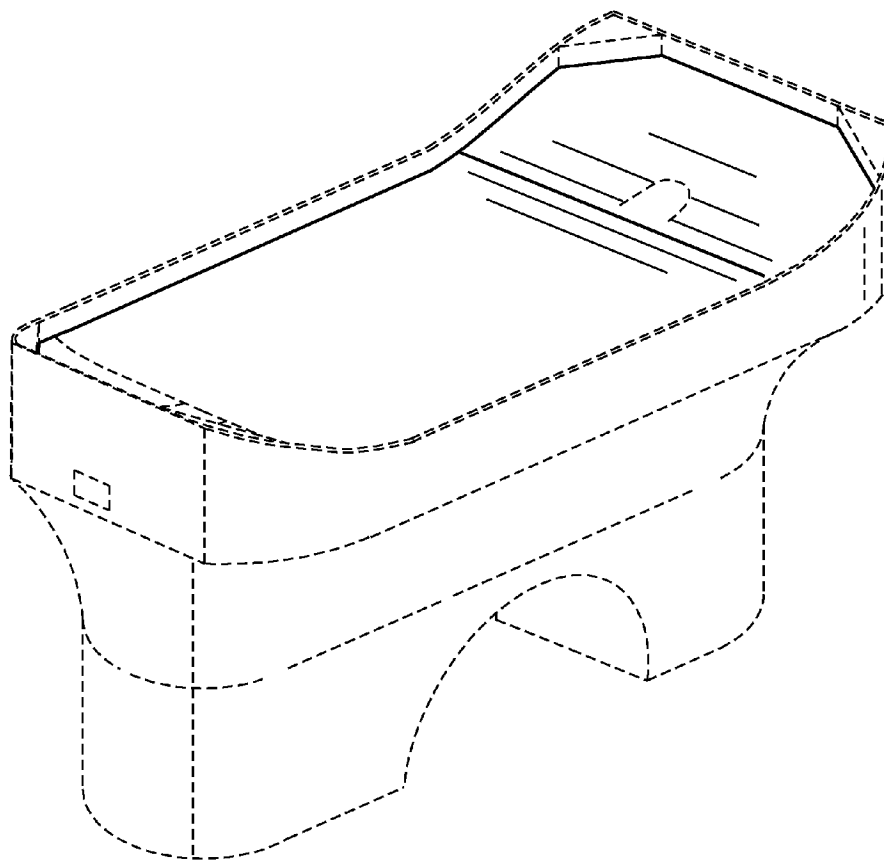
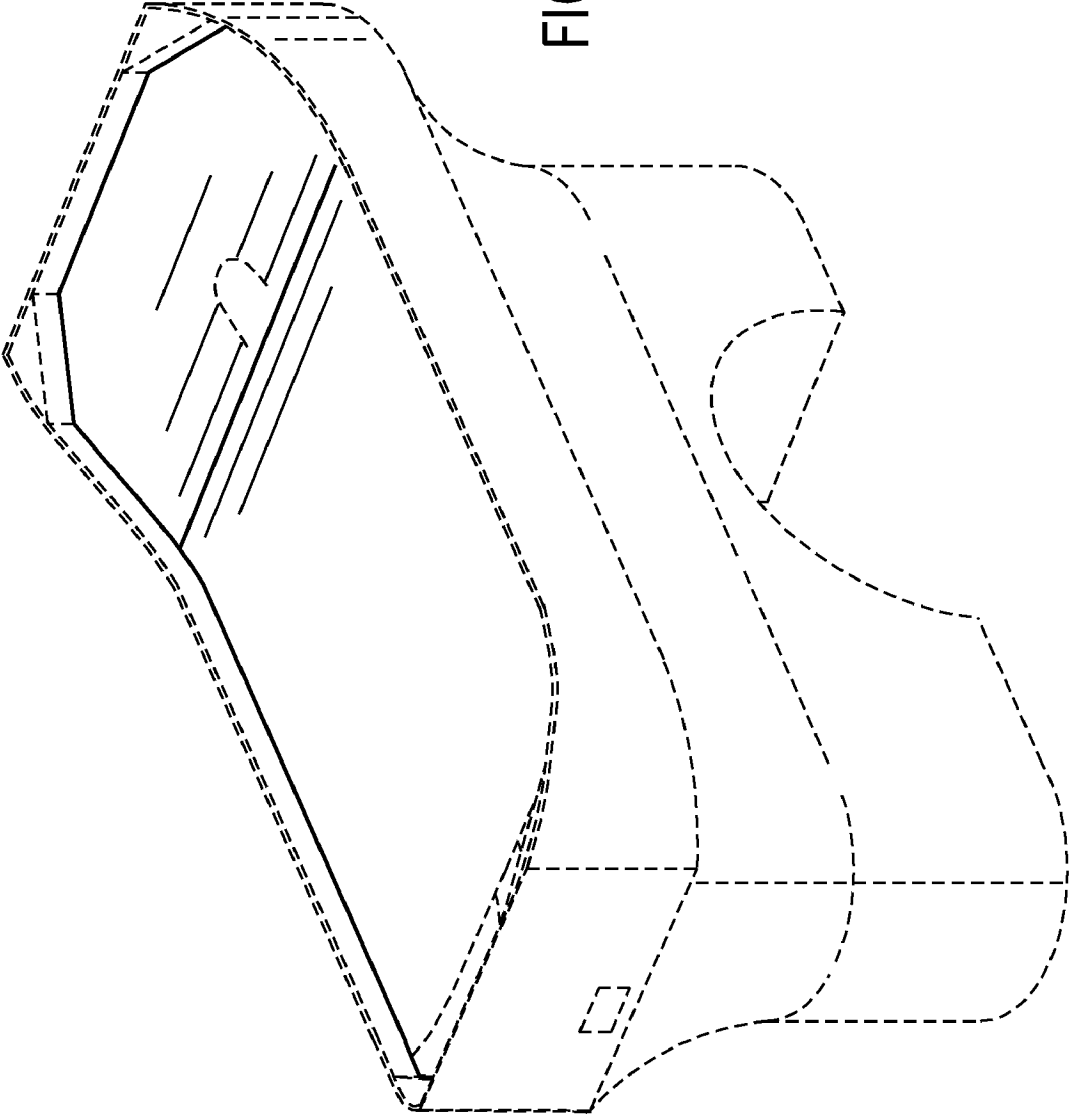


FIG. 1



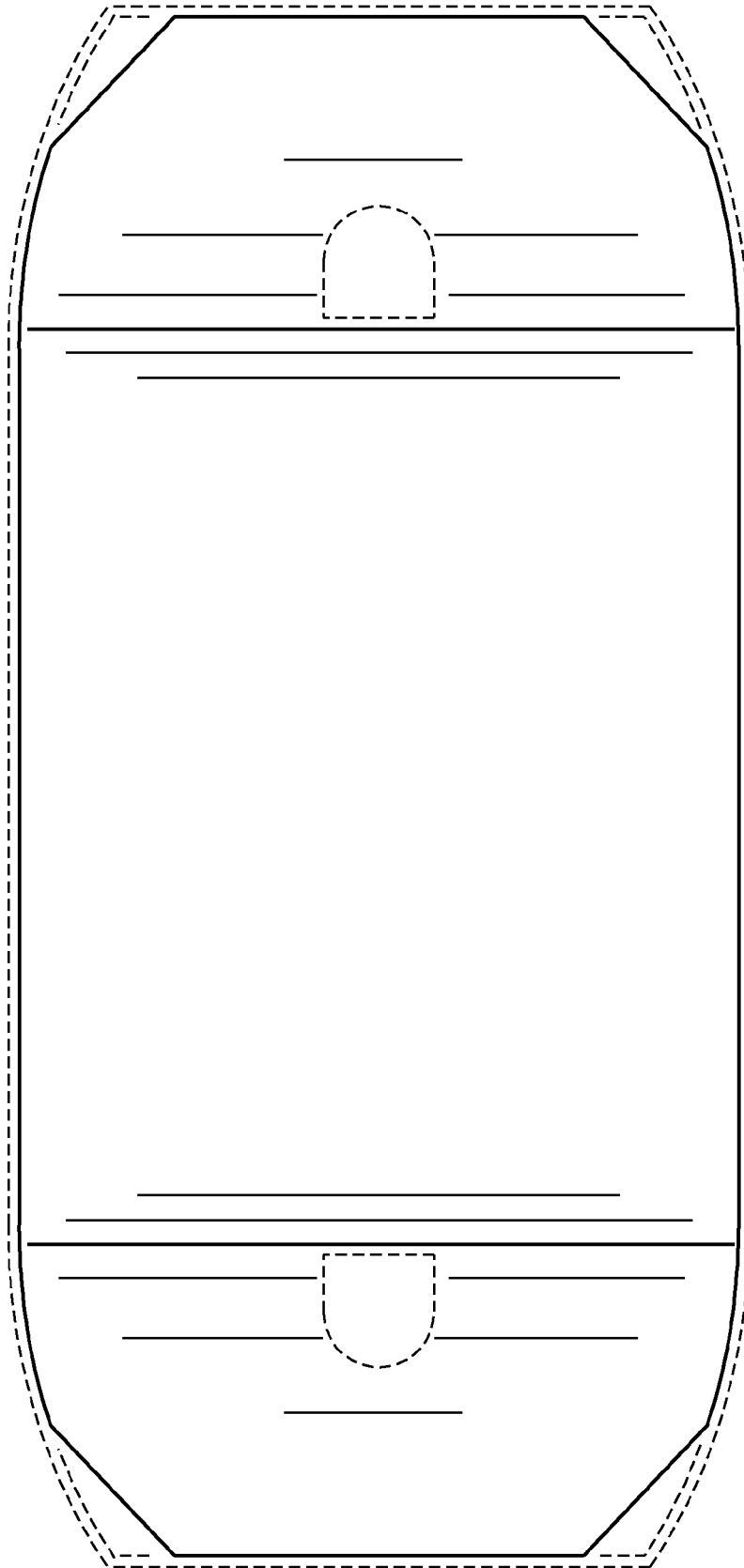


FIG. 2