



US00D567608S

(12) **United States Design Patent**
Greiner

(10) **Patent No.:** **US D567,608 S**

(45) **Date of Patent:** **** Apr. 29, 2008**

(54) **CAN OPENER**

(75) Inventor: **Ulrich Greiner**, Langenau (DE)

(73) Assignee: **Moha Moderne Haushaltwaren AG**,
Zollikofen (CH)

(**) Term: **14 Years**

(21) Appl. No.: **29/248,021**

(22) Filed: **Jul. 26, 2006**

(30) **Foreign Application Priority Data**

Feb. 1, 2006 (WO) DM/067 565

(51) **LOC (8) Cl.** **07-99**

(52) **U.S. Cl.** **D8/41**

(58) **Field of Classification Search** D7/669,
D7/693; D8/14, 18, 33-41, 98; 7/151-156;
30/400-404, 409, 412, 413, 416-418, 420-427,
30/429, 433, 434; 81/3.07, 3.35-3.37, 3.4
See application file for complete search history.

(56) **References Cited**

U.S. PATENT DOCUMENTS

D309,085 S *	7/1990	Usbeck	D8/33
D326,039 S *	5/1992	Viemeister	D8/33
D392,857 S *	3/1998	Lallemand	D8/36
D442,044 S *	5/2001	Juhlin et al.	D8/39
D482,250 S *	11/2003	Vitrac	D8/39

D501,772 S *	2/2005	Overthun et al.	D8/40
D520,826 S *	5/2006	Parlowski	D8/41
D522,824 S *	6/2006	McGuyer	D8/41

* cited by examiner

Primary Examiner—Caron D. Veynar
Assistant Examiner—Garth Rademaker
(74) *Attorney, Agent, or Firm*—Ziolkowski Patent Solutions
Group, SC

(57) **CLAIM**

The ornamental design for a can opener, as shown and described.

DESCRIPTION

FIG. 1 is a front view of a can opener in accordance with the present invention;

FIG. 2 is a rear view thereof;

FIG. 3 is a perspective view thereof;

FIG. 4 is a right side elevation view thereof;

FIG. 5 is a top view thereof;

FIG. 6 is a left side elevation view thereof, opposite the side view shown in FIG. 4; and,

FIG. 7 is a bottom view thereof.

The broken line showing is for illustrative purposes only, and forms no part of the claimed design.

1 Claim, 3 Drawing Sheets

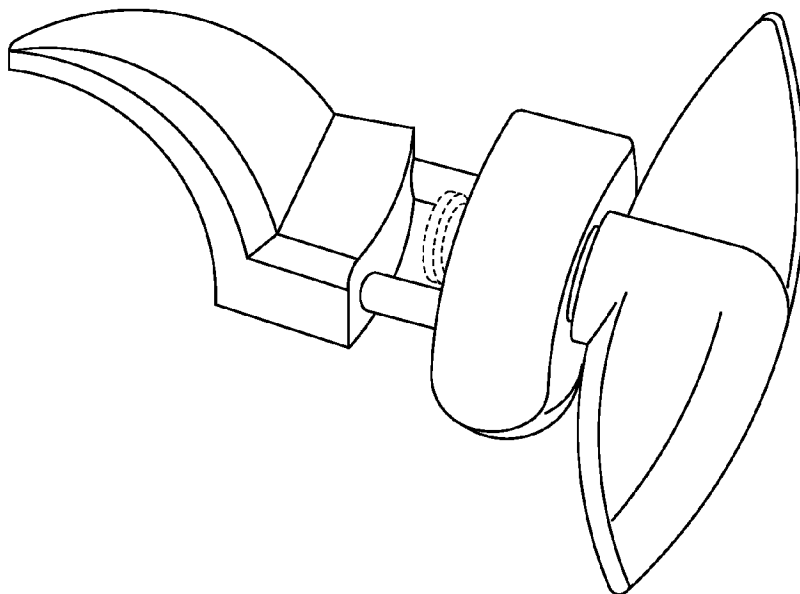


FIG. 3

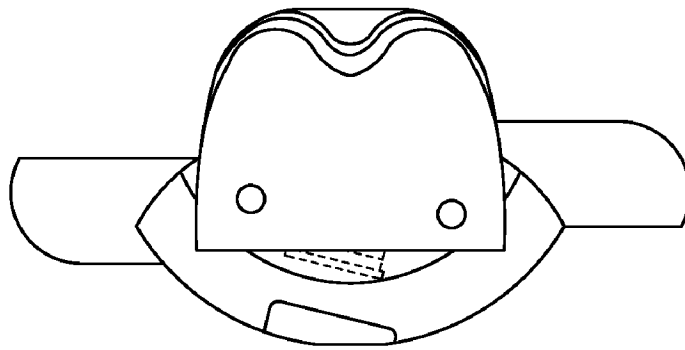
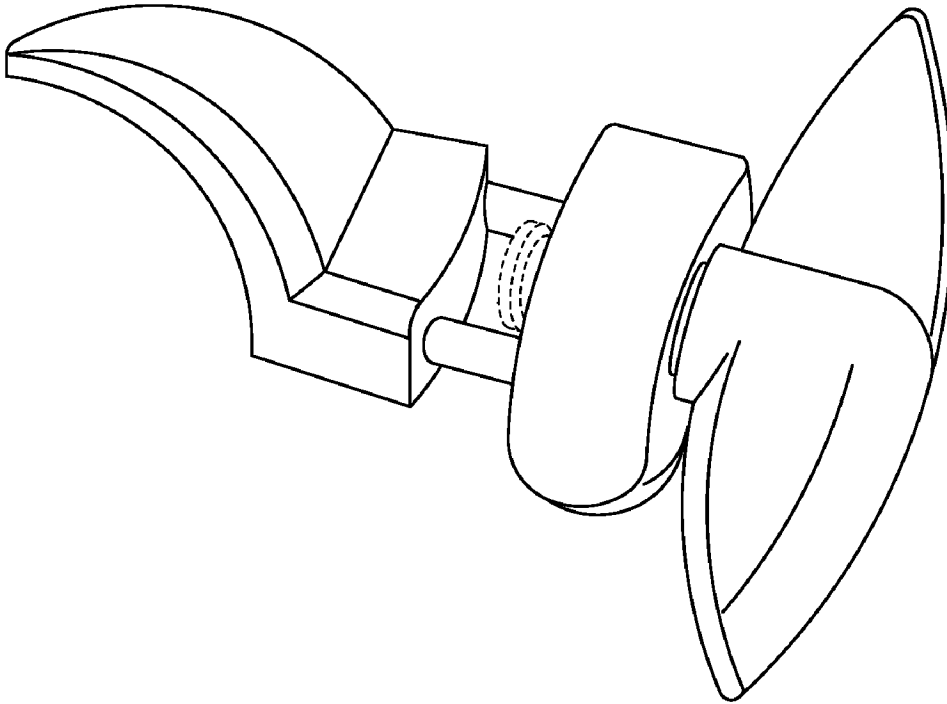


FIG. 1

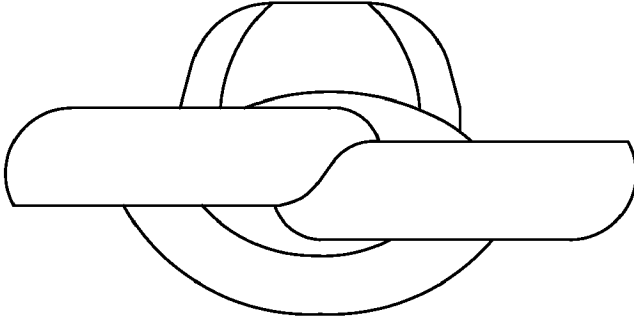


FIG. 2

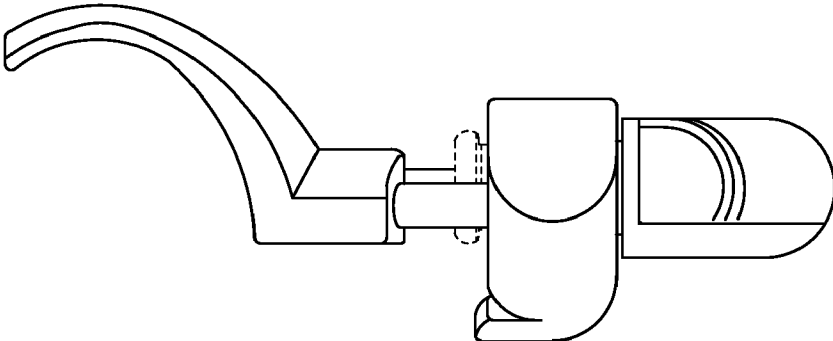


FIG. 6

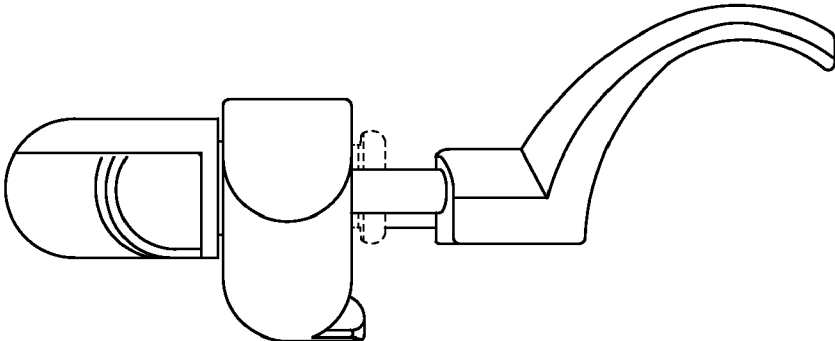


FIG. 4

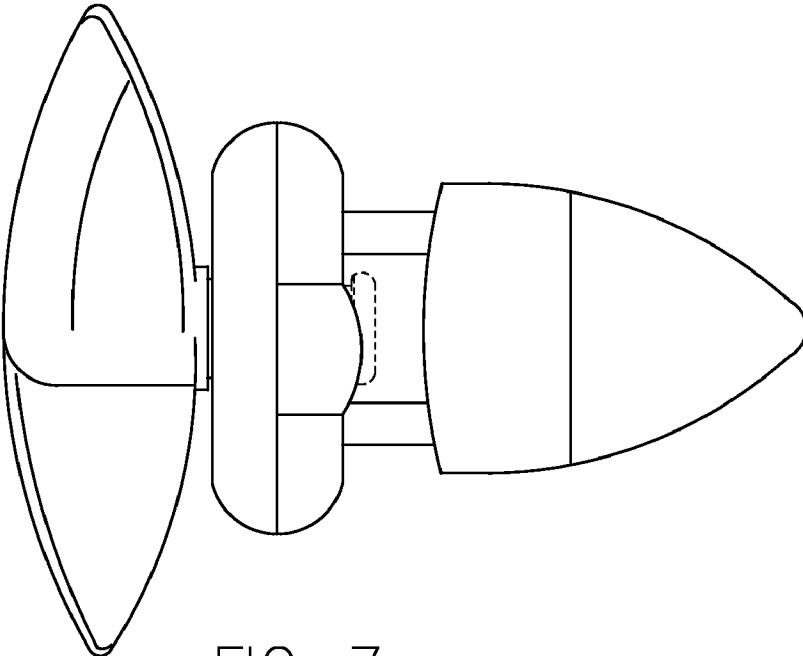


FIG. 7

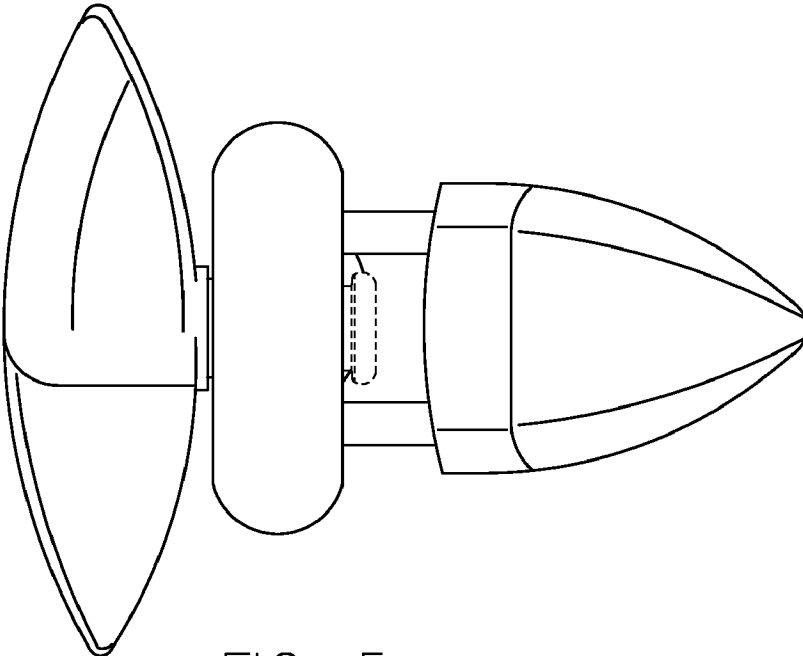


FIG. 5