



US00D558276S

(12) **United States Design Patent** (10) **Patent No.:** **US D558,276 S**  
**Damjan et al.** (45) **Date of Patent:** **\*\* Dec. 25, 2007**

(54) **ROULETTE GAME**

D532,831 S \* 11/2006 Baerlocher et al. .... D21/385

(75) Inventors: **Ursic Damjan**, Kamnik (SI); **Kolman Mitja**, Kranj (SI)

FOREIGN PATENT DOCUMENTS

GB 2098776 \* 1/2001

(73) Assignee: **Icit d.o.o.**, Sempeter pri Gorici (SI)

\* cited by examiner

(\*\*) Term: **14 Years**

*Primary Examiner*—Sandra L. Morris

(21) Appl. No.: **29/246,131**

(74) *Attorney, Agent, or Firm*—Ziolkowski Patent Solutions Group, SC

(22) Filed: **Feb. 24, 2006**

(57) **CLAIM**

(30) **Foreign Application Priority Data**

The ornamental design for a roulette game, as shown and described.

Aug. 31, 2005 (SI) ..... M-200550065

**DESCRIPTION**

(51) **LOC (8) Cl.** ..... **21-01**

FIG. 1 is a perspective view of a roulette game in accordance with the present invention;

(52) **U.S. Cl.** ..... **D21/375**

FIG. 2 is a top plan view thereof;

(58) **Field of Classification Search** ..... D21/369, D21/374–375, 385; 273/138.1, 139, 142 R, 273/309

FIG. 3 is a perspective view of a section of the roulette game, shown broken away for ease of illustration; and,

See application file for complete search history.

FIG. 4 is a side perspective view of piece positioned adjacent to the section of the roulette game shown in FIG. 3.

(56) **References Cited**

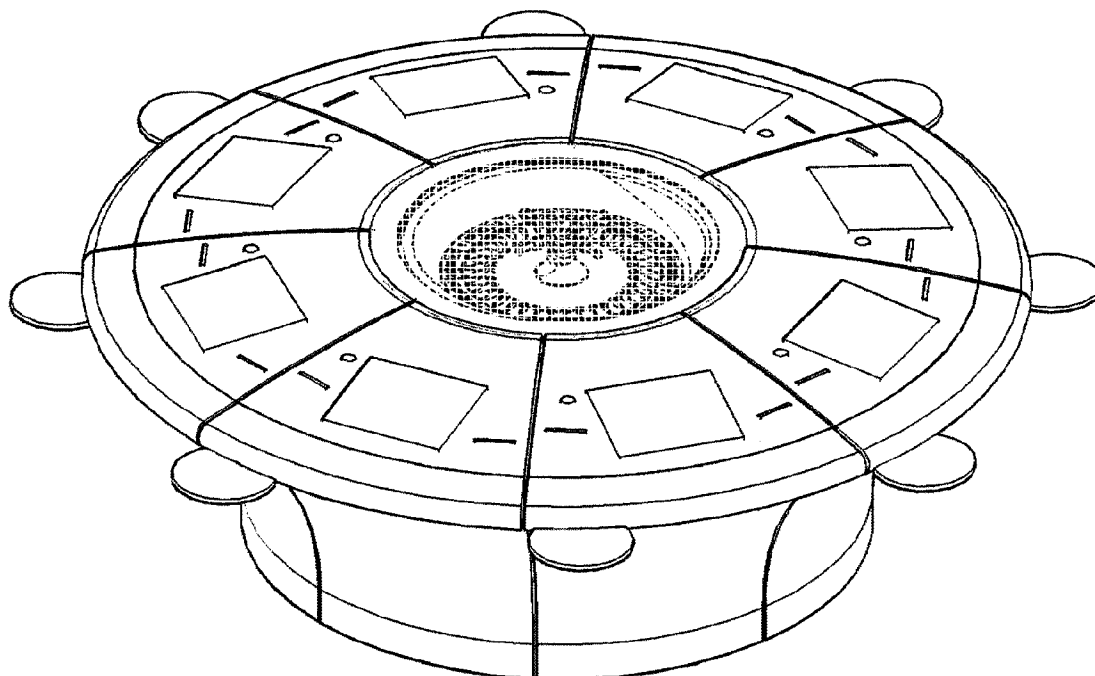
U.S. PATENT DOCUMENTS

D171,401 S \* 2/1954 Kaminsky ..... D21/375  
D378,930 S \* 4/1997 Nobata et al. .... D21/369  
5,879,235 A \* 3/1999 Kaneko et al. .... 463/34  
6,164,646 A \* 12/2000 Uehara et al. .... 273/142 R  
D458,310 S \* 6/2002 Lynch ..... D21/369  
D523,093 S \* 6/2006 Kaminkow et al. .... D21/369

The bottom of the roulette game shown in the figures is unornamented and forms no part of the claimed invention.

The broken line showing of the wheel in FIGS. 1–2 is for illustrative purposes only, and forms no part of the claimed design.

**1 Claim, 4 Drawing Sheets**



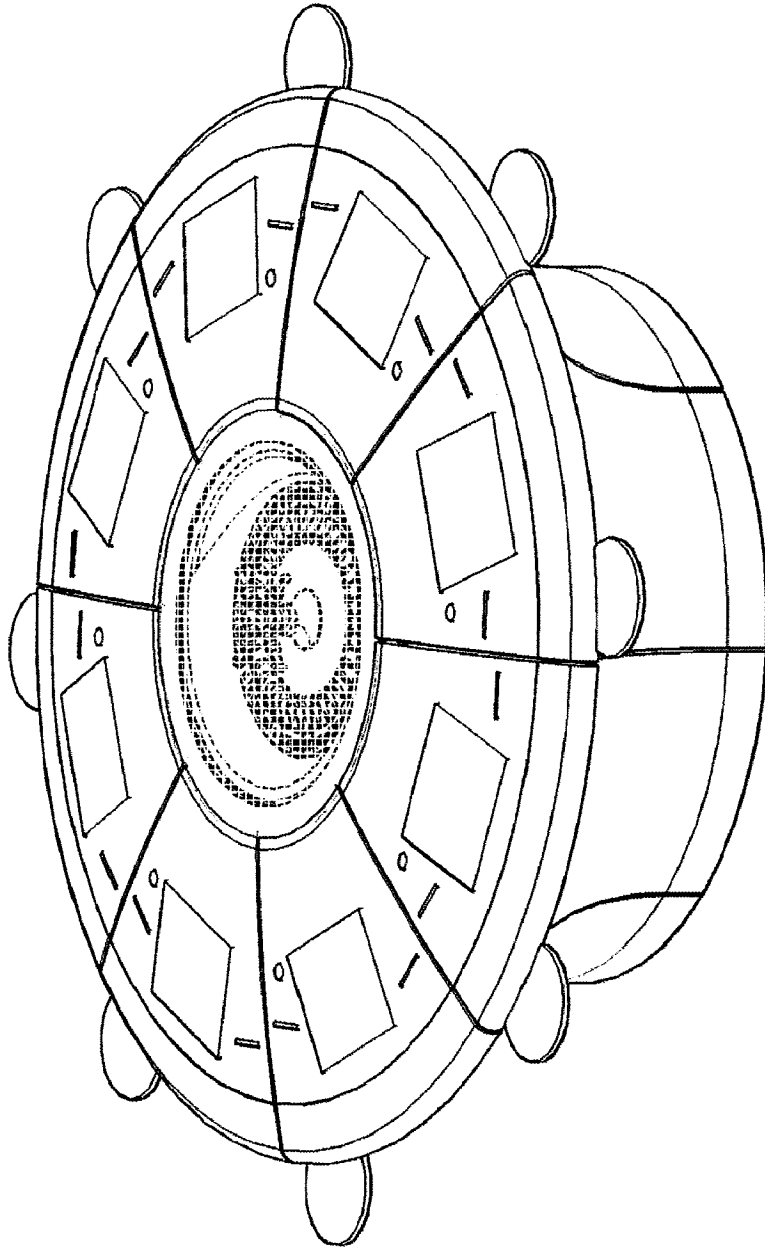


FIG. 1

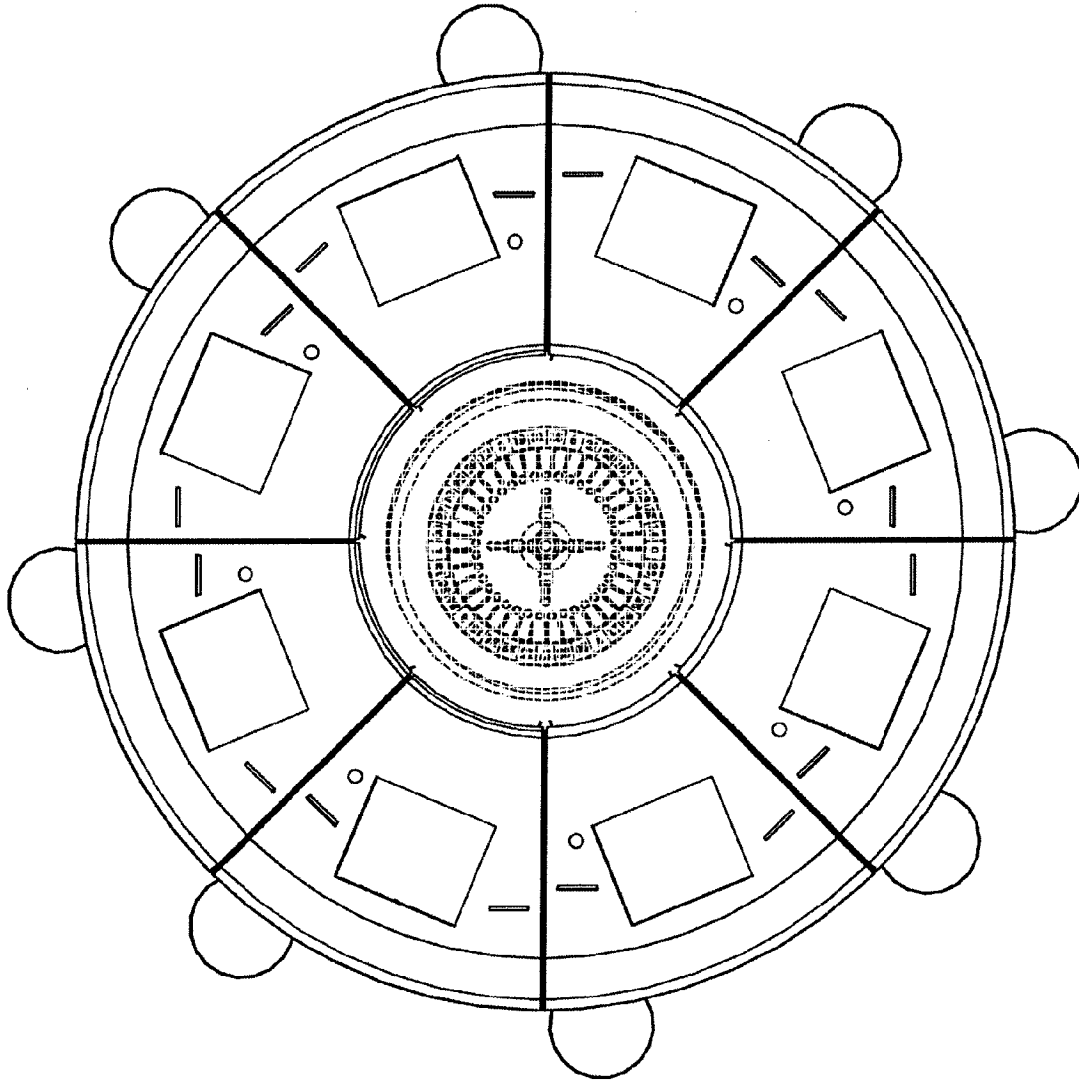


FIG. 2

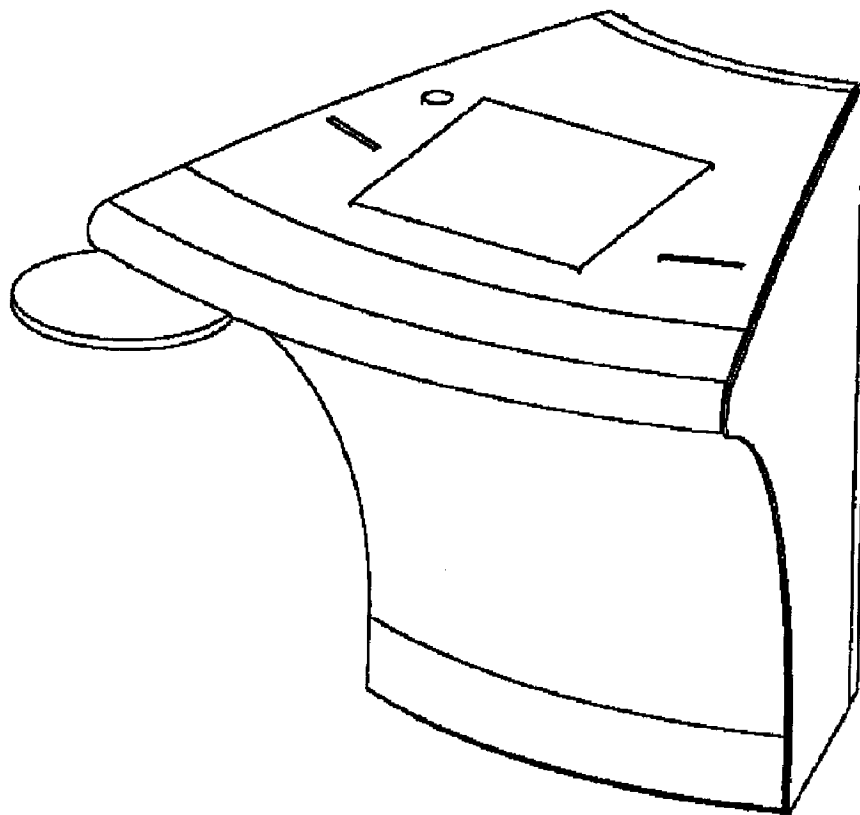


FIG. 3

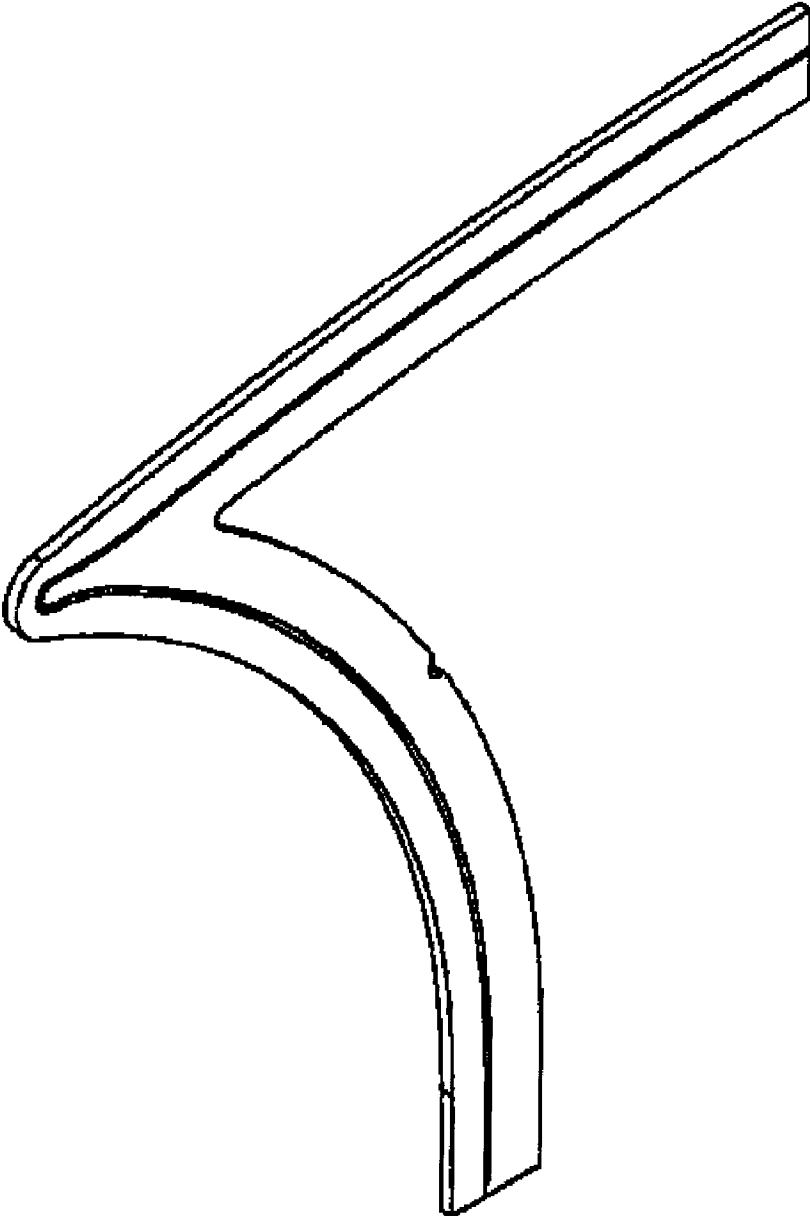


FIG. 4