



US00D548802S

(12) **United States Design Patent**
Damjan et al.

(10) **Patent No.:** **US D548,802 S**

(45) **Date of Patent:** **** Aug. 14, 2007**

(54) **ROULETTE GAME**

Primary Examiner—Sandra L. Morris

(75) Inventors: **Ursic Damjan**, Kamnik (SI); **Kolman Mitja**, Kranj (SI)

(74) *Attorney, Agent, or Firm*—Ziolkowski Patent Solutions Group, SC

(73) Assignee: **Icit d.o.o.**, Sempeter pri Gorici (SI)

(57) **CLAIM**

(**) Term: **14 Years**

The ornamental design for a roulette game, as shown and described.

(21) Appl. No.: **29/246,130**

(22) Filed: **Feb. 24, 2006**

DESCRIPTION

(30) **Foreign Application Priority Data**

Aug. 26, 2005 (SI) M-200550044

FIG. 1 is a perspective view of a roulette game in accordance with the present invention.

(51) **LOC (8) Cl.** **21-03**

FIG. 2 is a side elevational view of the roulette game of FIG. 1.

(52) **U.S. Cl.** **D21/375**

(58) **Field of Classification Search** D21/369,
D21/374–375, 385; 273/138.1, 139, 142 R,
273/309

FIG. 3 is a perspective view of a roulette game in accordance with another embodiment of the present invention.

See application file for complete search history.

FIG. 4 is a side elevational view of the roulette game of FIG. 3.

(56) **References Cited**

U.S. PATENT DOCUMENTS

D171,401	S	*	2/1954	Kaminsky	D21/375
D378,930	S	*	4/1997	Nobata et al.	D21/369
5,879,235	A	*	3/1999	Kaneko et al.	273/142 R
6,164,646	A	*	12/2000	Uehara et al.	273/142 R
D458,310	S	*	6/2002	Lynch	D21/369
D523,093	S	*	6/2006	Kaminkow et al.	D21/369
D532,831	S	*	11/2006	Baerlocher et al.	D21/385

FIG. 5 is a side view of a roulette game, in accordance with a further embodiment of the present invention; and,

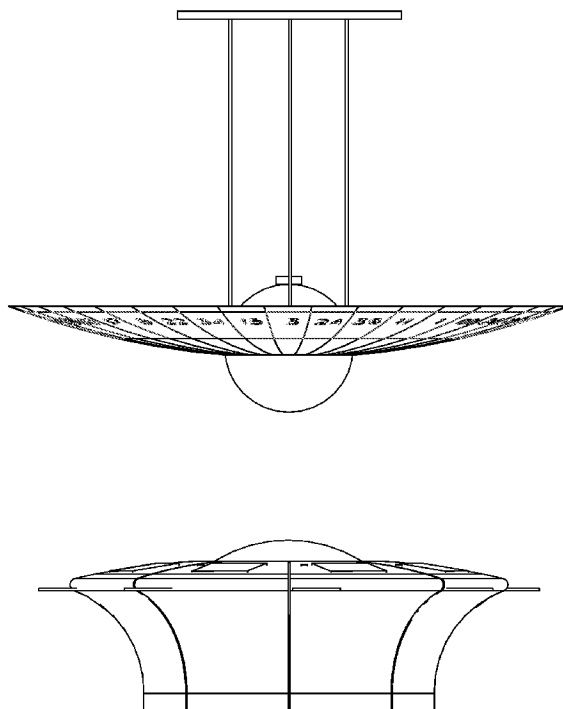
FIG. 6 is a perspective view of the roulette game of FIG. 5.

The broken line showing of the indicia in FIGS. 2, 4 and 5 is for illustrative purposes only, and forms no part of the claimed design.

The bottoms of the roulette games shown in the figures are unornamented and form no part of the claimed invention.

* cited by examiner

1 Claim, 6 Drawing Sheets



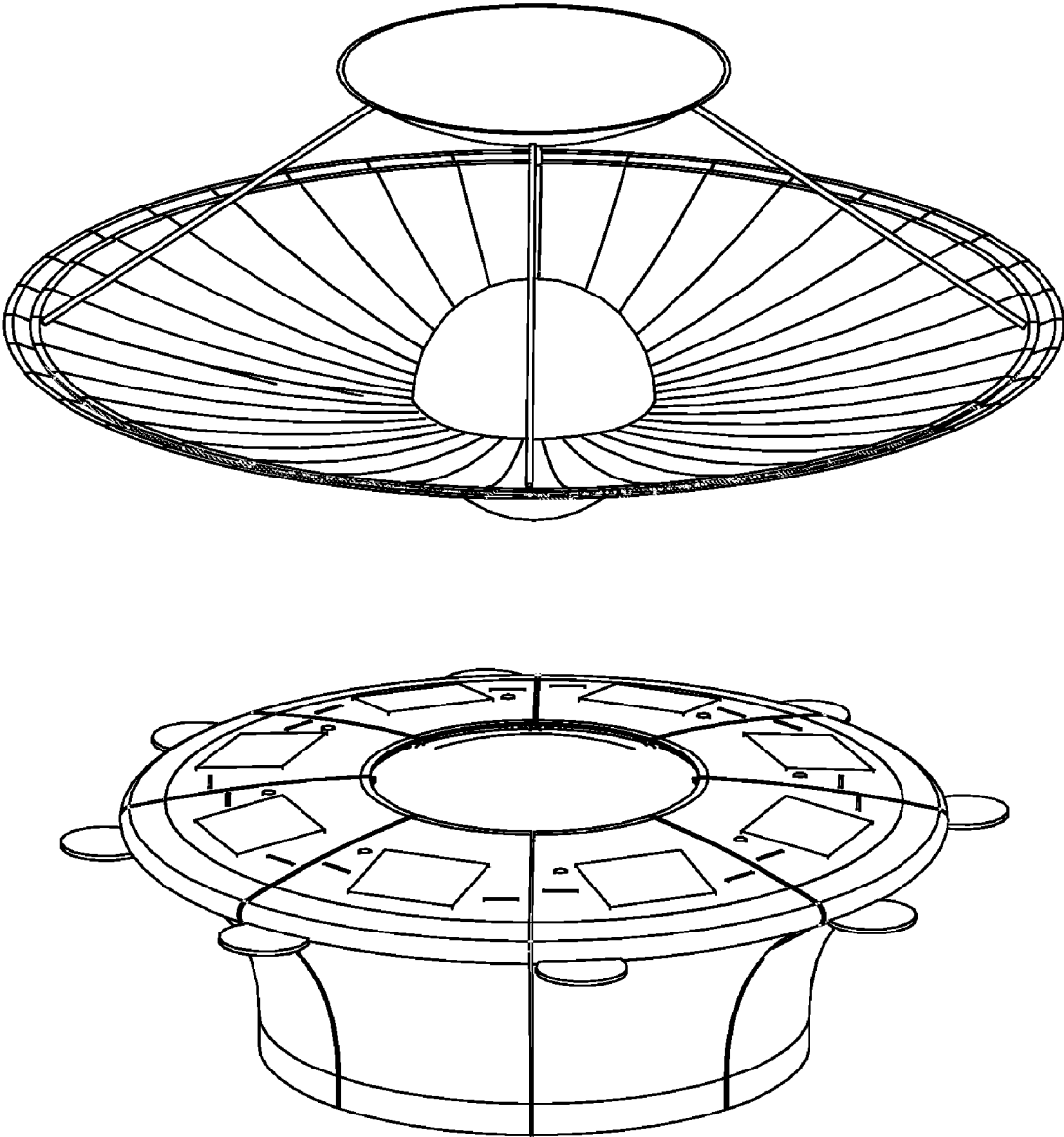


FIG. 1

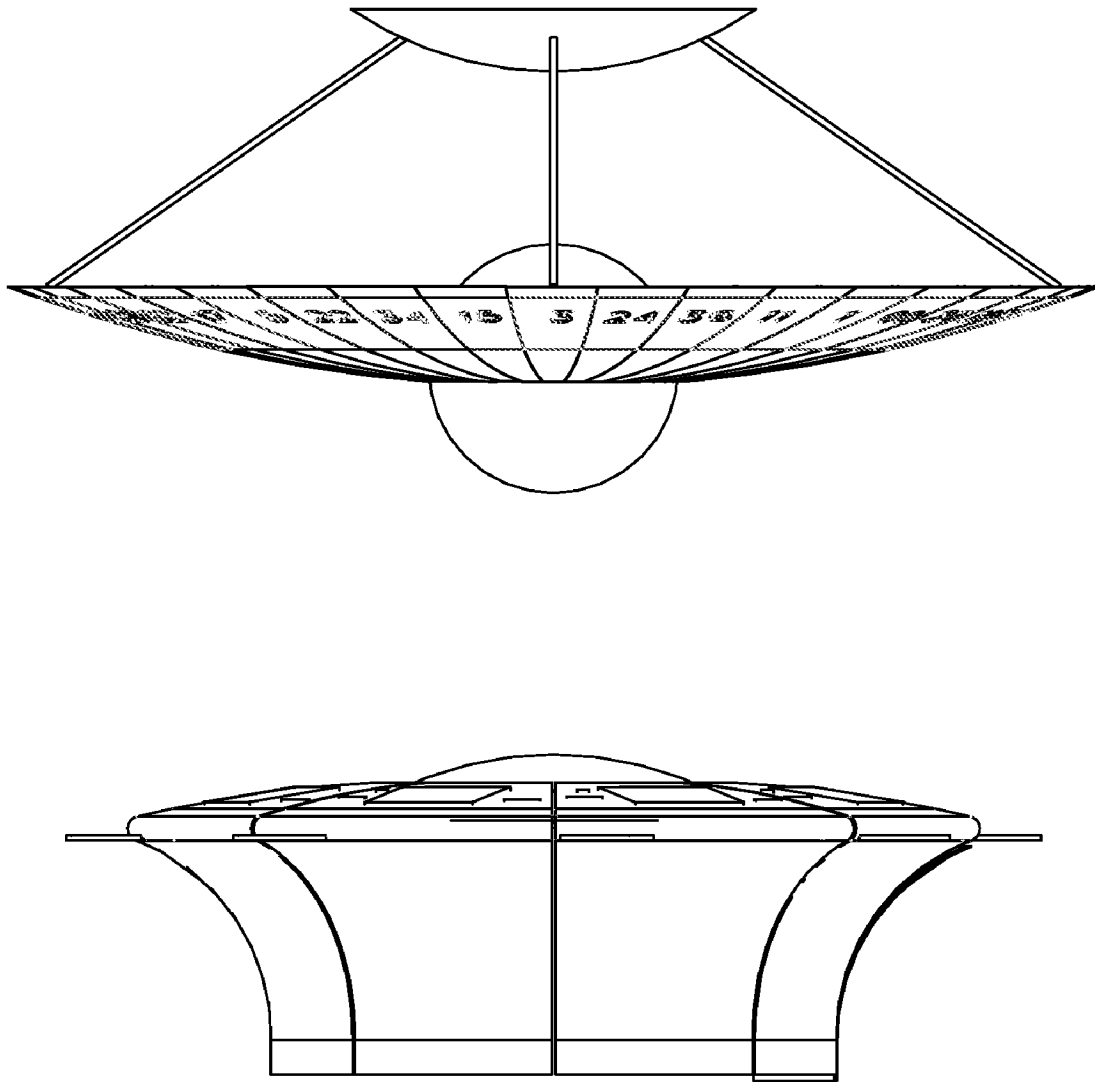


FIG. 2

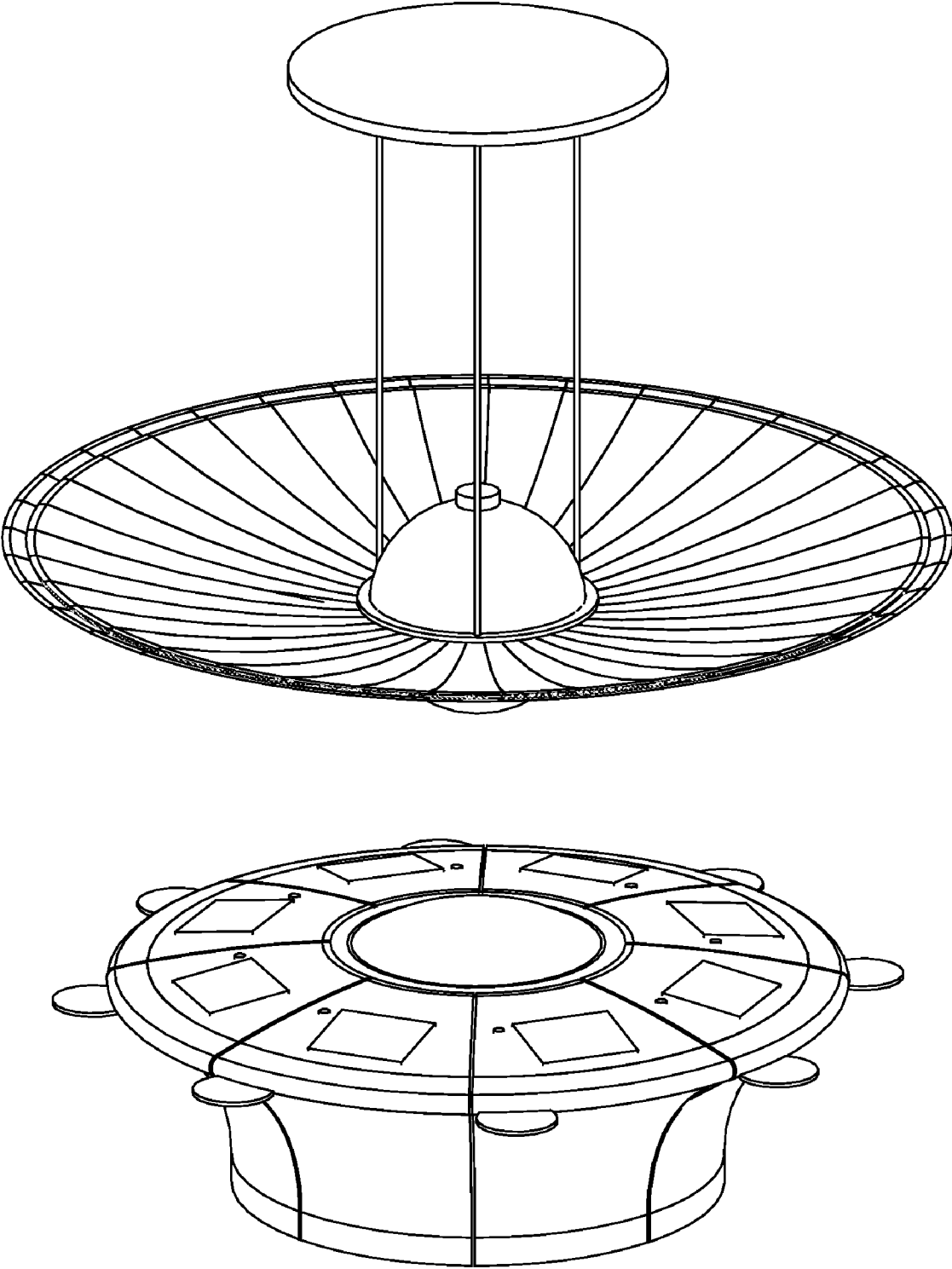


FIG. 3

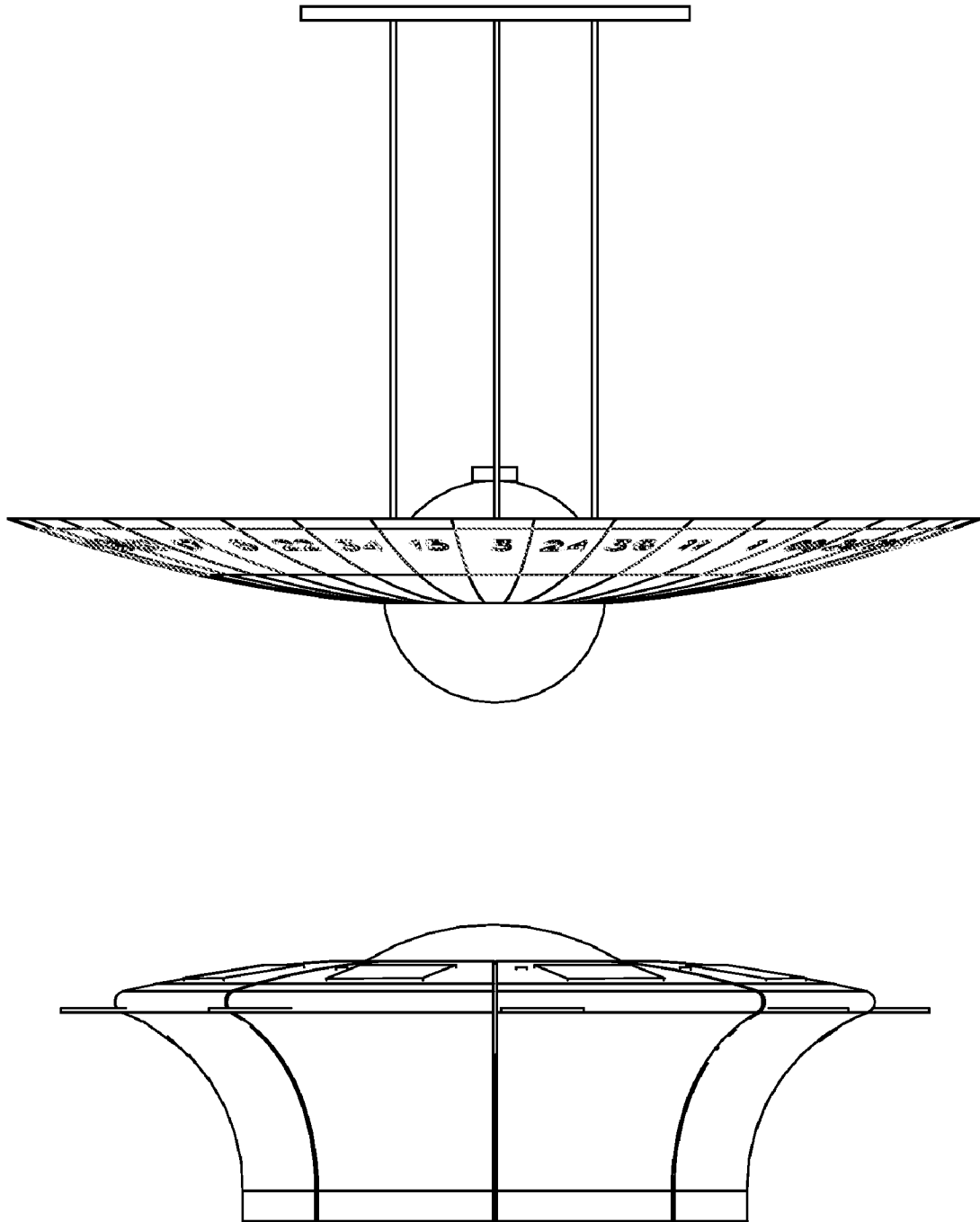


FIG. 4

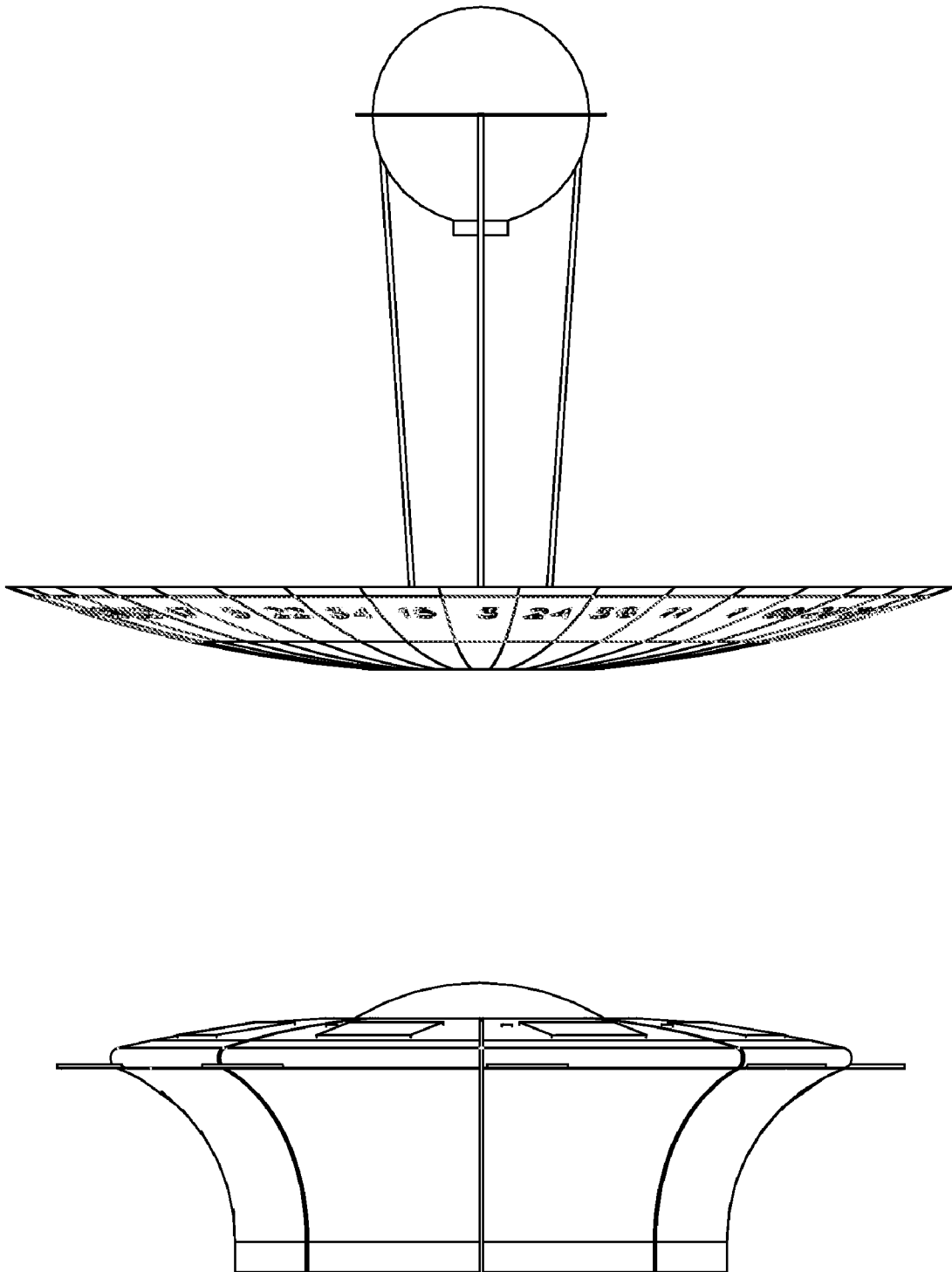


FIG. 5

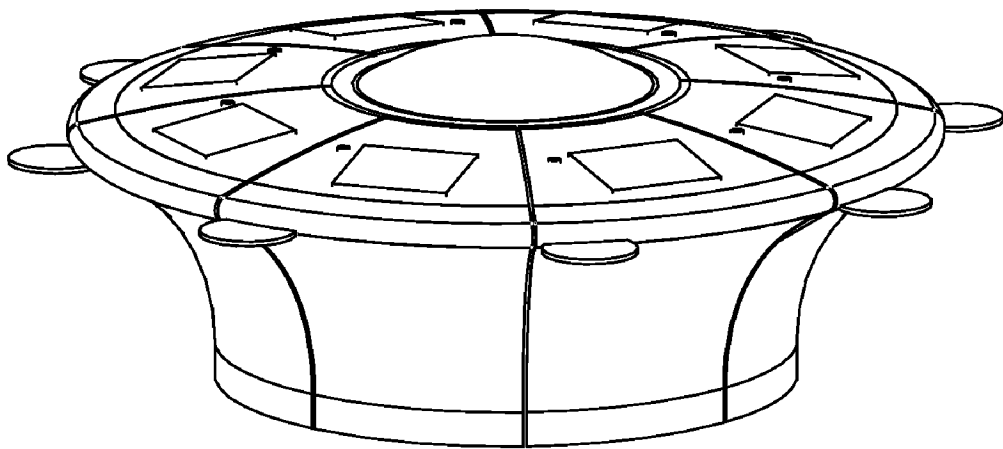
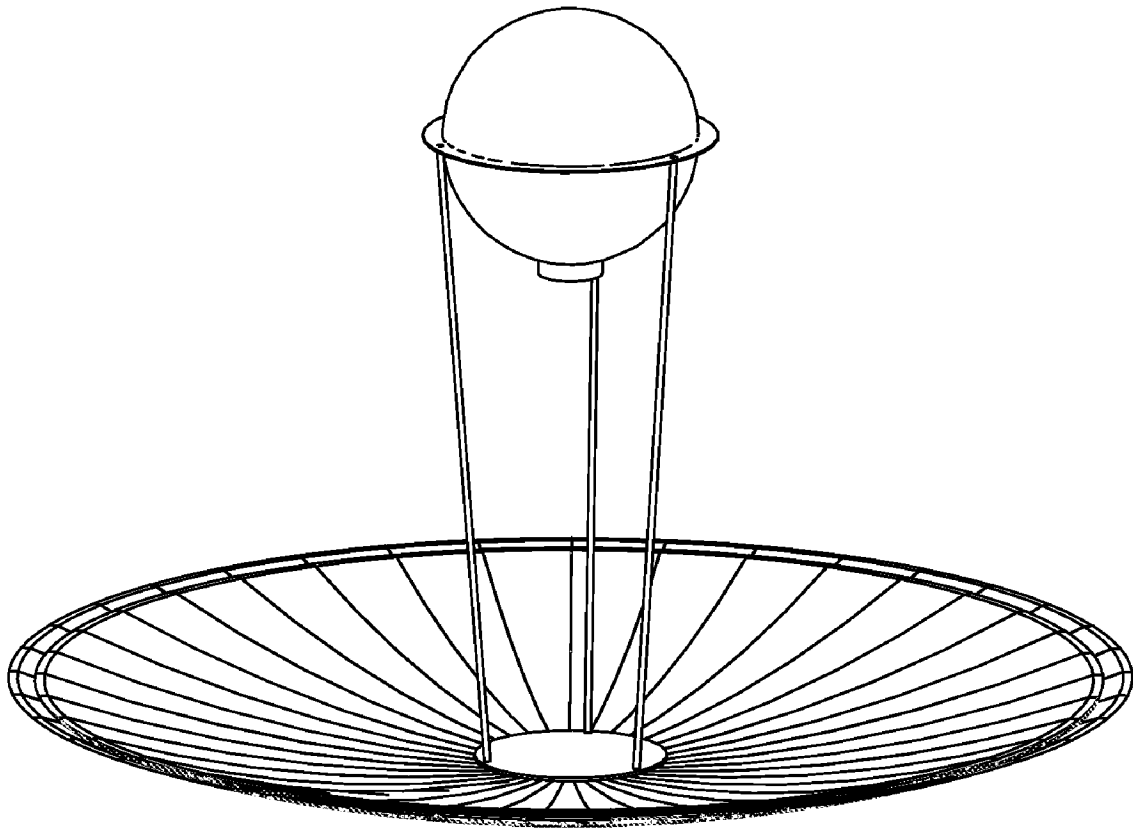


FIG. 6