



US00D504547S

(12) **United States Design Patent**  
**Nauert**

(10) **Patent No.:** **US D504,547 S**  
(45) **Date of Patent:** **\*\* Apr. 26, 2005**

(54) **HUMMINGBIRD FEEDER SHADE**

6,269,769 B1 8/2001 Wenstrand

(76) Inventor: **Uta Nauert**, 7460 N. River Rd.,  
Milwaukee, WI (US) 53217

**OTHER PUBLICATIONS**

(\*\*) Term: **14 Years**

Perkey Pet Brand Hummingbird Feeder, no date, pp. 1-5.  
Hummingbird Feeders, Hummingbirds.net, no date, pp. 1-8.  
Wild Birds Unlimited, Your Backyard Bird Feeding Hobby  
Guide, no date, pp. 1-8.  
Aspects, Wild Bird Feeders Thermometers and Accessories,  
2000, pp. 1-16.

(21) Appl. No.: **29/193,695**

(22) Filed: **Nov. 13, 2003**

\* cited by examiner

**Related U.S. Application Data**

(62) Division of application No. 29/175,078, filed on Jan. 29,  
2003, now Pat. No. Des. 486,278.

*Primary Examiner*—Pamela Burgess

(51) **LOC (7) Cl.** ..... **30-99**

(74) *Attorney, Agent, or Firm*—Ziolkowski Patent  
Solutions Group, LLC

(52) **U.S. Cl.** ..... **D30/199; D30/124; 119/57.9**

(57) **CLAIM**

(58) **Field of Search** ..... D30/199, 124,  
D30/151; D3/5; D11/130, 154; 119/57.9,  
72, 52.1-52.4, 459, 469, 57.8, 470; D26/68

The ornamental design for a hummingbird feeder shade, as  
shown and described herein.

**DESCRIPTION**

(56) **References Cited**

**U.S. PATENT DOCUMENTS**

2,891,508	A	*	6/1959	Bower	.....	119/52.3
D244,098	S	*	4/1977	Kilham	.....	D30/128
4,031,856	A		6/1977	Chester		
4,102,308	A		7/1978	Kilham		
D252,162	S	*	6/1979	Barry	.....	D30/128
4,821,681	A		4/1989	Tucker		
4,901,673	A		2/1990	Overstreet		
5,191,857	A		3/1993	Boaz		
D343,030	S	*	1/1994	Harwick, Jr.	.....	D30/128
D360,495	S	*	7/1995	Sanderson	.....	D30/123
5,628,277	A		5/1997	Machado		
5,893,335	A		4/1999	Goodwin		
D429,852	S		8/2000	Hogarty		

FIG. 1 is a perspective view of a shade for a hummingbird  
feeder in accordance with the present invention.

FIG. 2 is a front elevational view of the shade for a  
hummingbird feeder of FIG. 1.

FIG. 3 is a rear elevation view of the shade for a humming-  
bird feeder of FIG. 1.

FIG. 4 is a right side elevational view of the shade for a  
hummingbird feeder of FIG. 1.

FIG. 5 is a top plan view of the shade for a hummingbird  
feeder of FIG. 1; and,

FIG. 6 is a bottom plan view of the shade for a hummingbird  
feeder of FIG. 1.

**1 Claim, 4 Drawing Sheets**

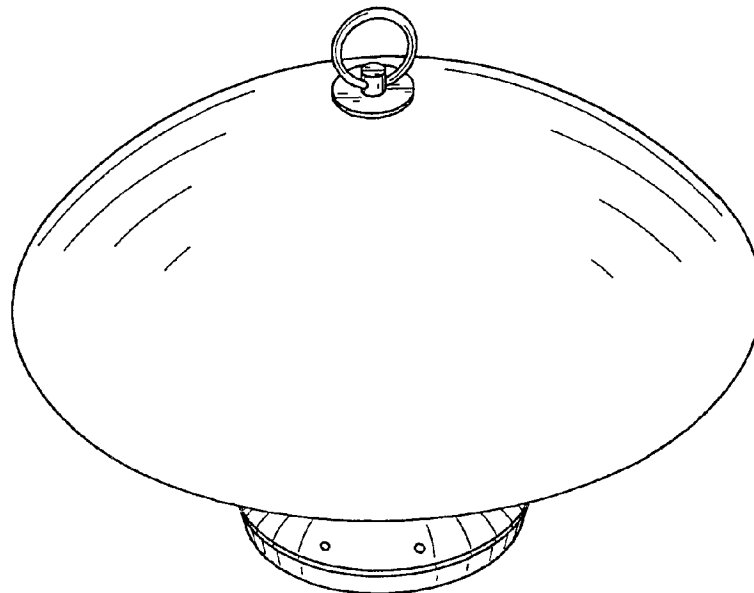


FIG. 1

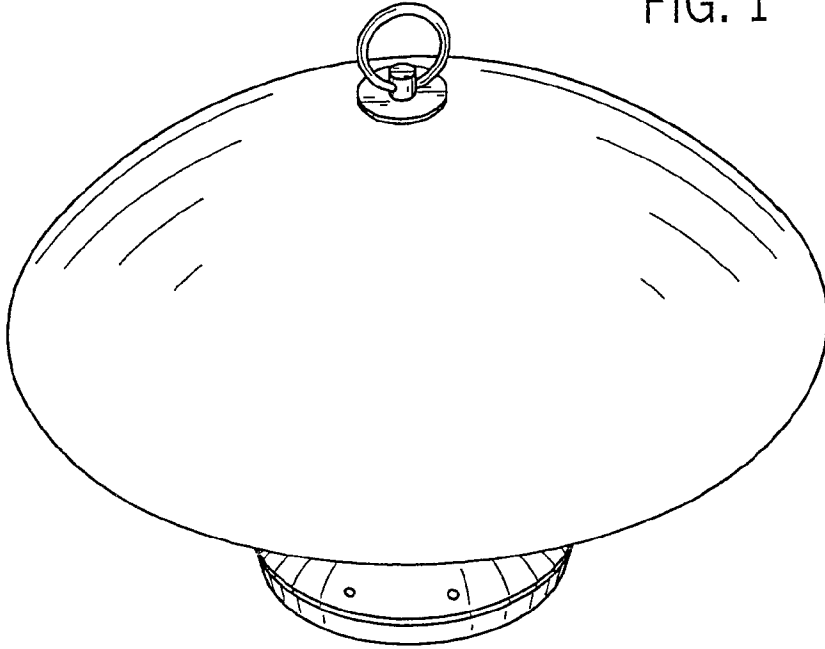
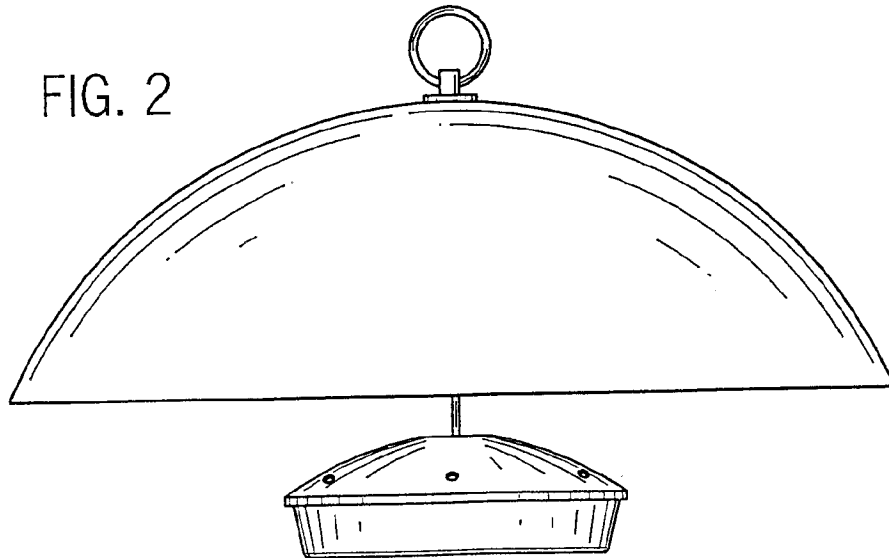


FIG. 2



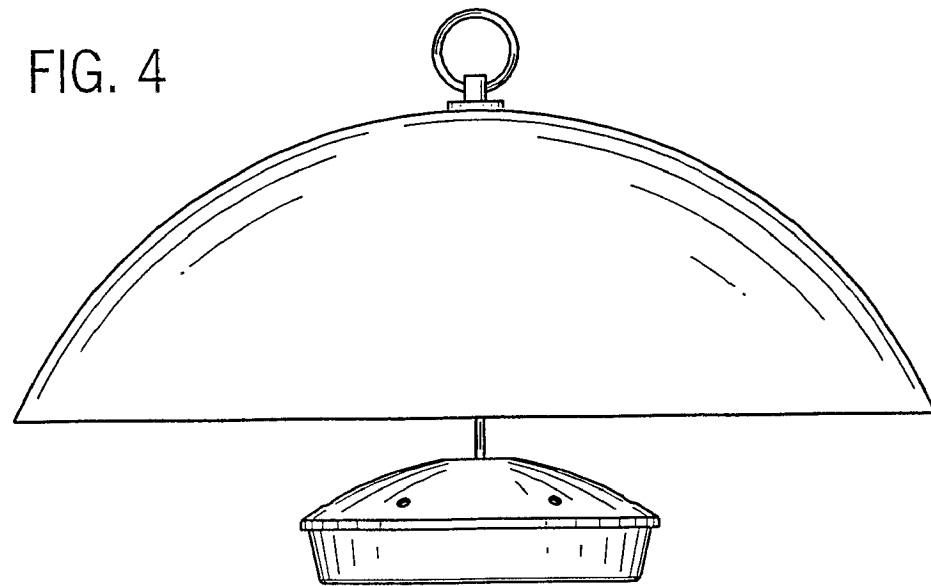
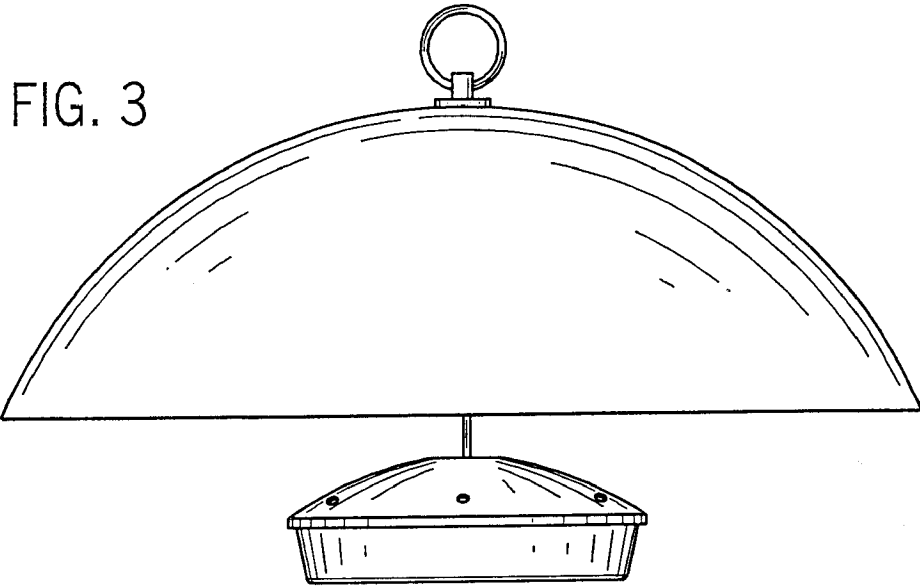


FIG. 5

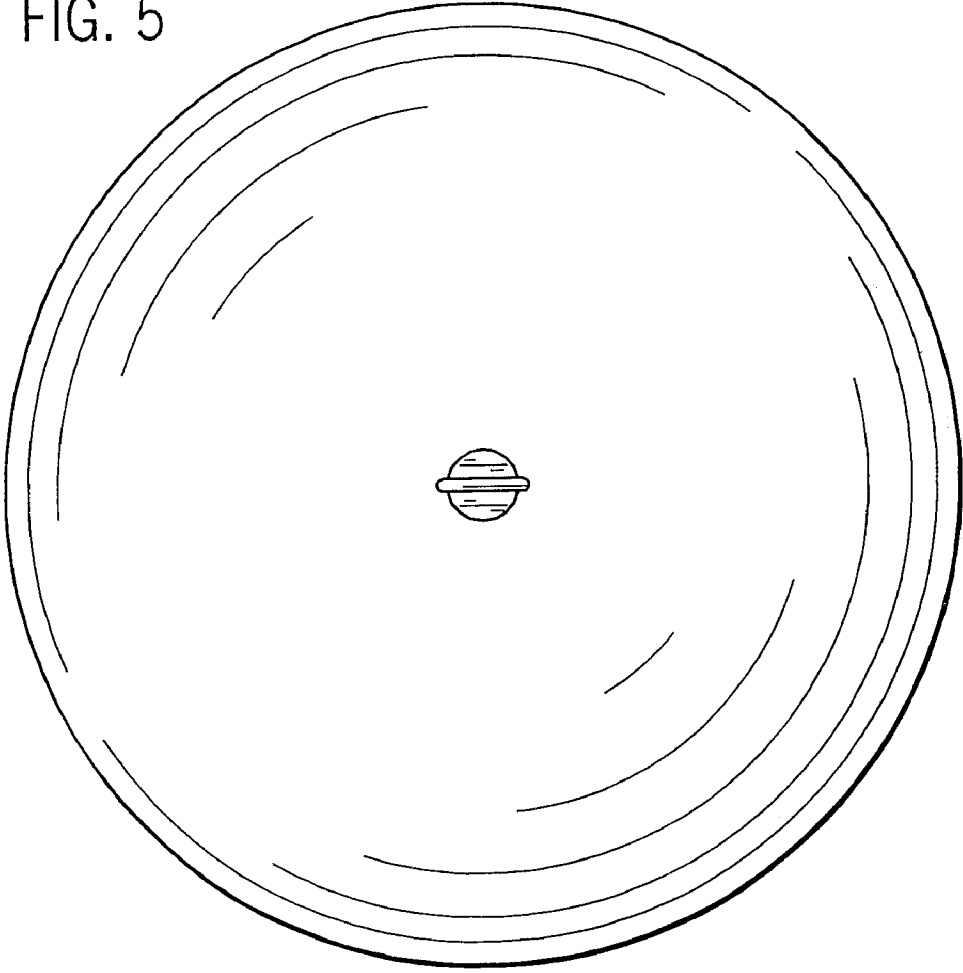


FIG. 6

