



US00D486278S

(12) **United States Design Patent** (10) **Patent No.:** **US D486,278 S**  
**Nauert** (45) **Date of Patent:** **\*\* Feb. 3, 2004**

(54) **HUMMINGBIRD FEEDER SHADE**

OTHER PUBLICATIONS

(76) Inventor: **Uta Nauert**, 7460 N. River Rd., Milwaukee, WI (US) 53217

Perkey Pet Brand Hummingbird Feeder, no date, pp. 1–5.  
Hummingbird Feeders, Hummingbirds.net, no date, pp. 1–8.  
Wild Birds Unlimited, Your Backyard Bird Feeding Hobby Guide, no date, pp. 1–8.  
Aspects, Wild Bird Feeders Thermometers and Accessories, 2000, pp. 1–16.

(\*\*) Term: **14 Years**

\* cited by examiner

(21) Appl. No.: **29/175,078**

(22) Filed: **Jan. 29, 2003**

(51) **LOC (7) Cl.** ..... **30-99**

*Primary Examiner*—Pamela Burgess

(52) **U.S. Cl.** ..... **D30/199; D30/124; D26/118; 119/57.9**

(57) **CLAIM**

(58) **Field of Search** ..... D30/199, 151; D3/5; D1/105, 118; D11/130, 154; 119/72, 52.1, 52.2, 52.3, 52.4, 459, 469, 57.8, 470, 57.9; D21/503; 52/101, 741.3; D26/118, 123–124, 55, 101

The ornamental design for a hummingbird feeder shade, as shown and described herein.

**DESCRIPTION**

(56) **References Cited**

FIG. 1 is a perspective view of a hummingbird feeder shade in accordance with the present invention.

**U.S. PATENT DOCUMENTS**

FIG. 2 is a front elevational view of the hummingbird feeder shade of FIG. 1.

D107,761	S	*	1/1938	Fair	.....	D1/118
4,031,856	A		6/1977	Chester		
4,102,308	A		7/1978	Kilham		
4,821,681	A		4/1989	Tucker		
4,901,673	A		2/1990	Overstreet		
5,191,857	A		3/1993	Boaz		
5,289,796	A	*	3/1994	Armstrong	.....	119/52.3
5,628,277	A		5/1997	Machado		
D408,573	S	*	4/1999	Kay	.....	D26/68
5,893,335	A		4/1999	Goodwin		
D429,852	S		8/2000	Hogarty		
6,213,678	B1	*	4/2001	Doelling et al.	.....	403/353
6,269,769	B1		8/2001	Wenstrand		

FIG. 3 is a rear elevation view of the hummingbird feeder shade of FIG. 1.

FIG. 4 is a right side elevational view of the hummingbird feeder shade of FIG. 1.

FIG. 5 is a top plan view of the hummingbird feeder shade of FIG. 1; and,

FIG. 6 is a bottom plan view of the hummingbird feeder shade of FIG. 1.

The broken lines shown in all figures are for illustrative purposes only and form no part of the claimed design.

**1 Claim, 4 Drawing Sheets**

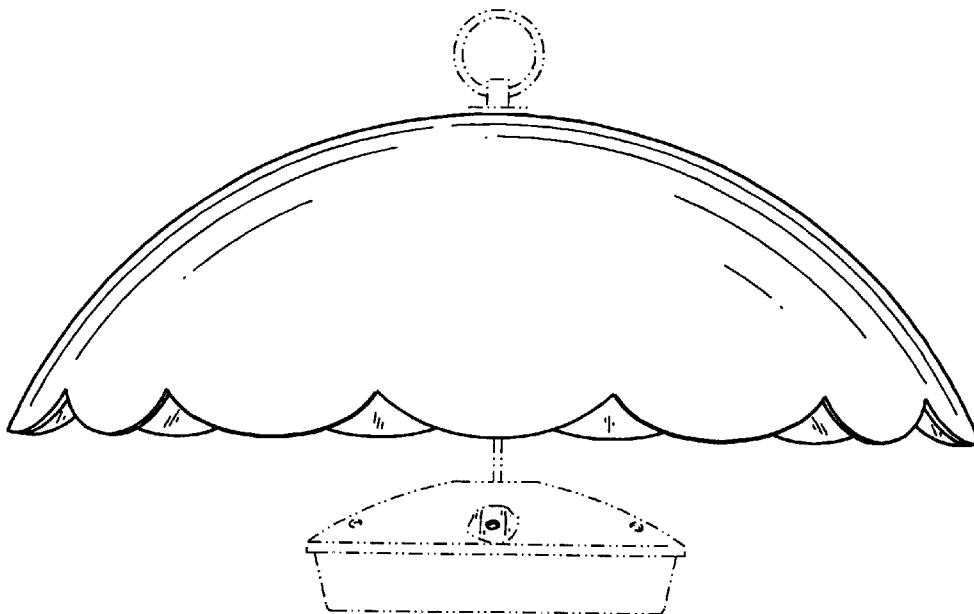


FIG. 1

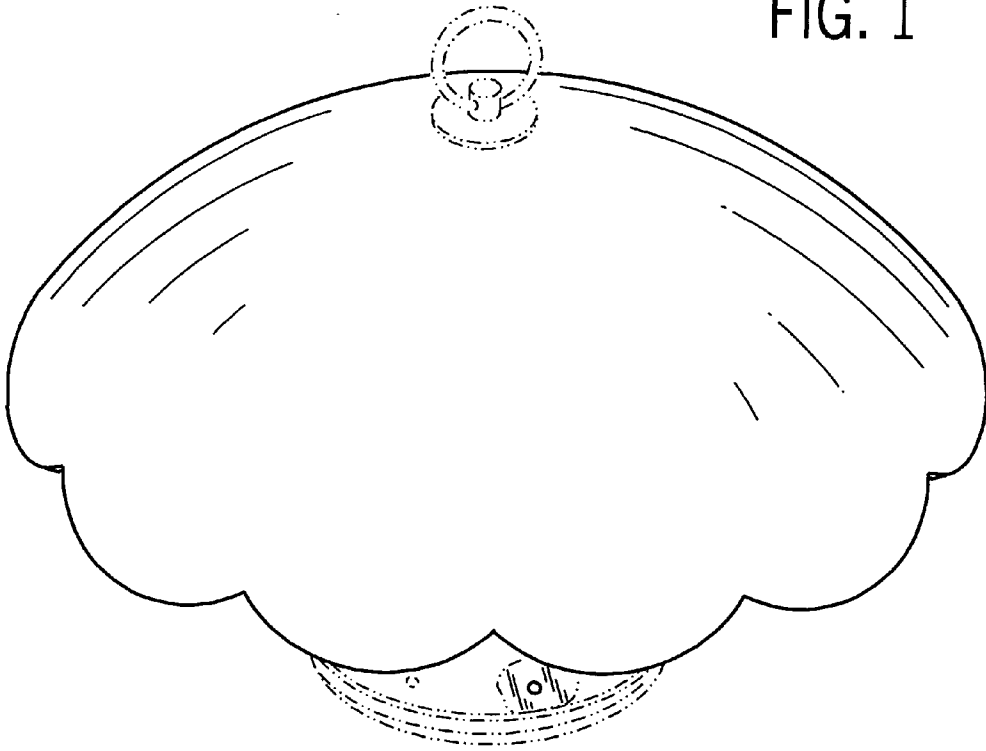


FIG. 2

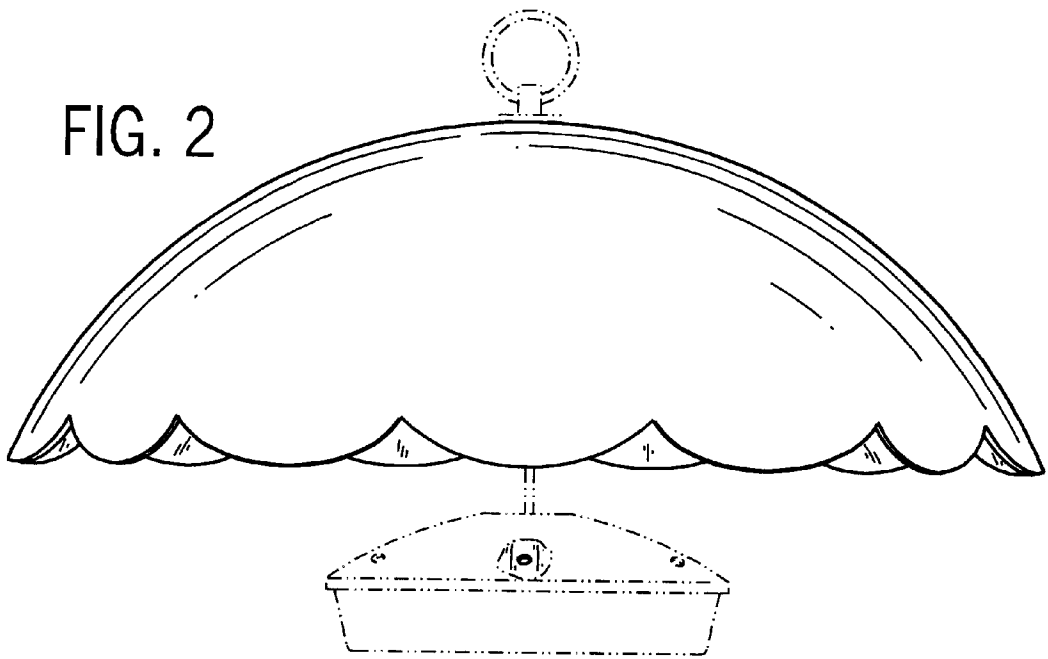


FIG. 3

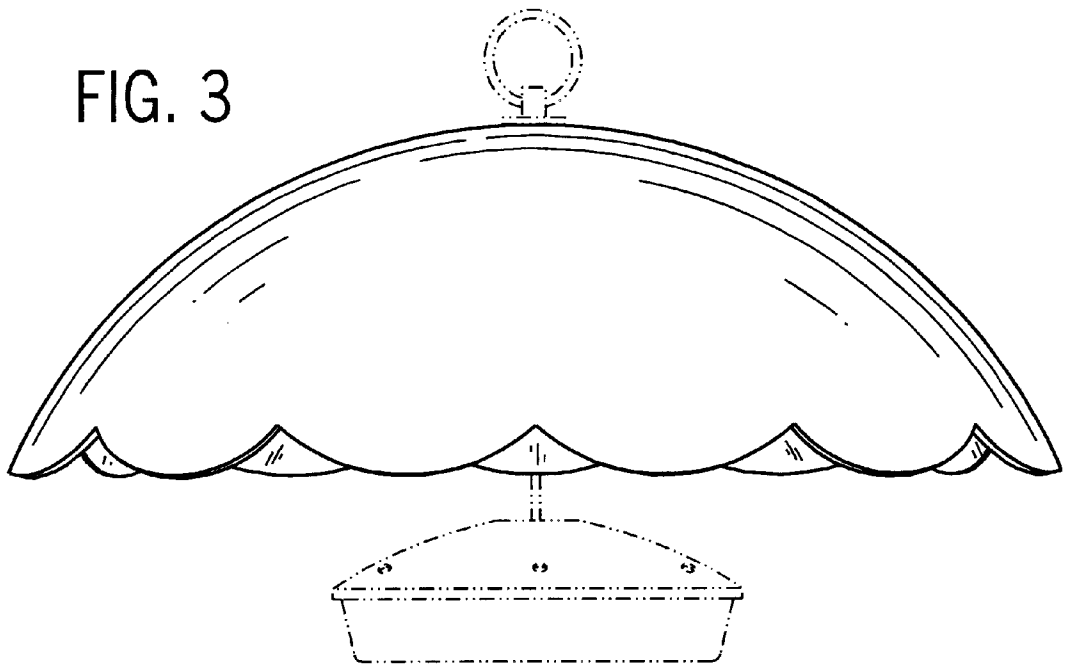


FIG. 4

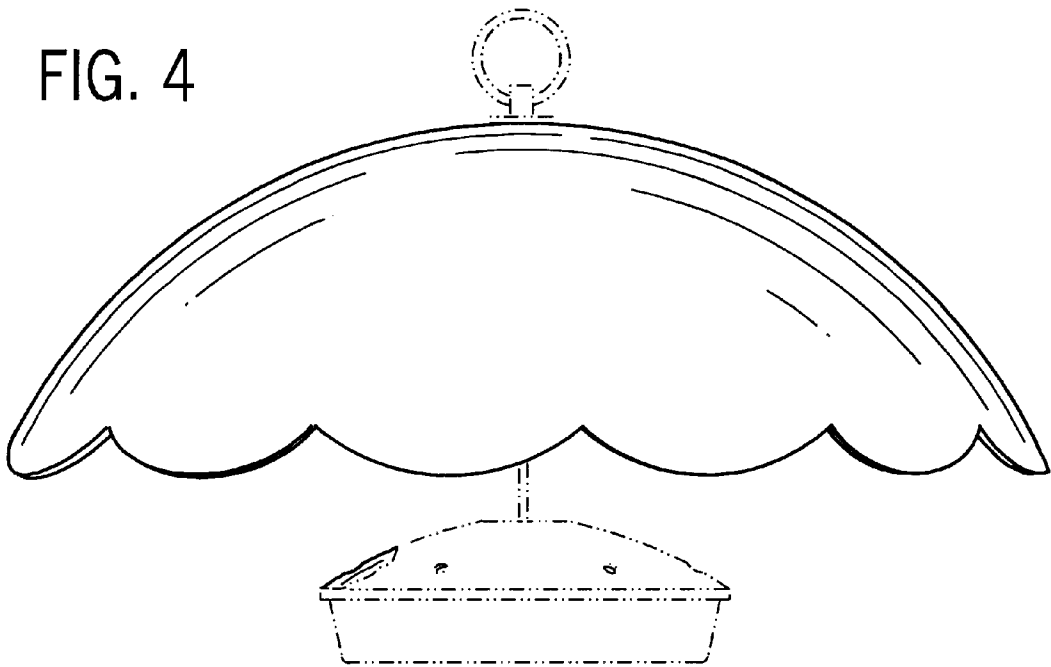


FIG. 5

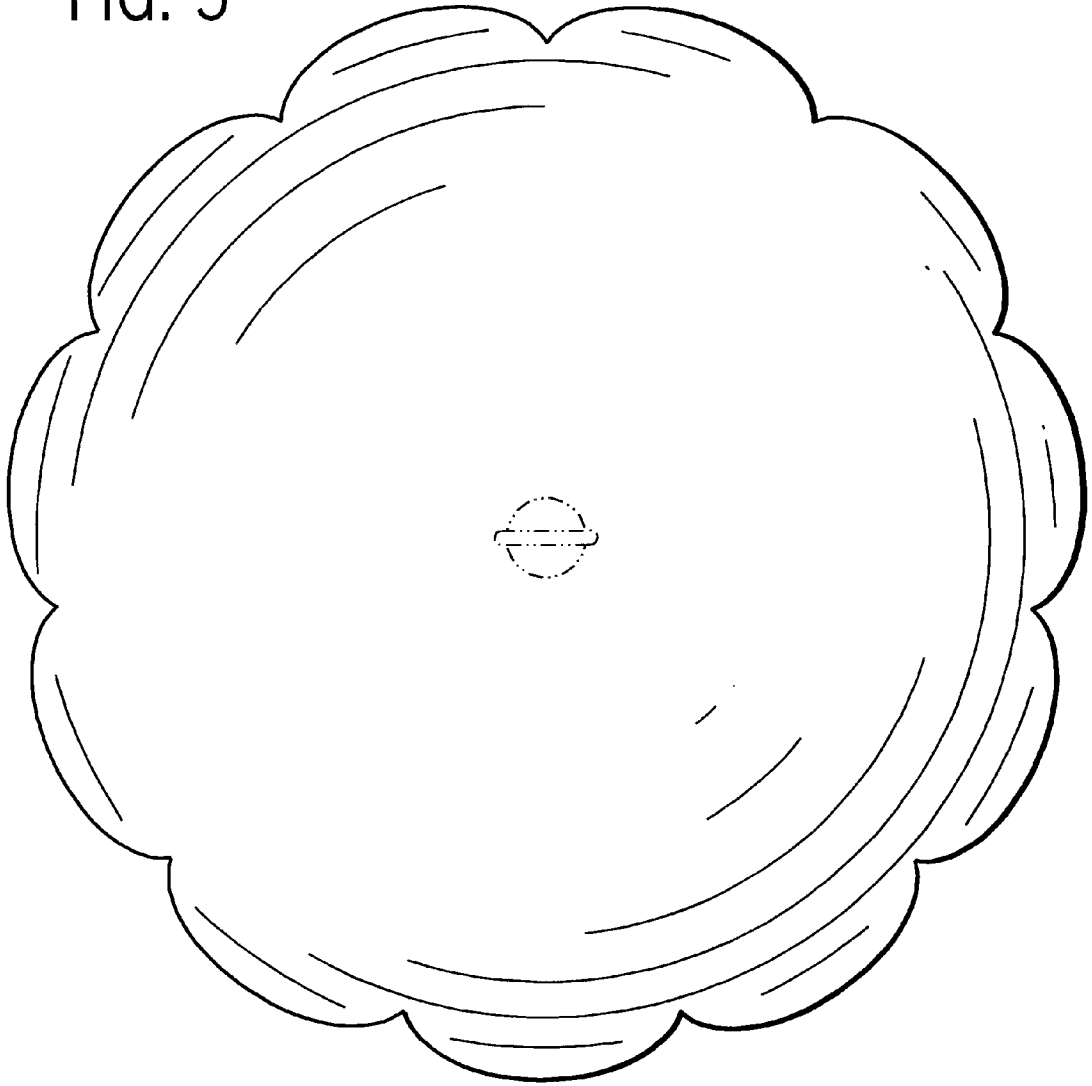


FIG. 6

