



US00D467492S

(12) **United States Design Patent**  
**Wieder**

(10) **Patent No.:** **US D467,492 S**  
(45) **Date of Patent:** **\*\* Dec. 24, 2002**

(54) **RETAINER CLIP**  
(75) Inventor: **Martin H. Wieder**, Watertown, WI (US)  
(73) Assignee: **Martin Technology Group**, Watertown, WI (US)  
(\*\*) Term: **14 Years**

3,475,716 A 10/1969 Laig  
3,881,753 A 5/1975 Bochory  
3,894,758 A 7/1975 Smith  
4,183,603 A 1/1980 Donarummo  
4,204,738 A 5/1980 Tillotson  
4,230,109 A 10/1980 Geiss  
4,333,505 A 6/1982 Jones  
4,340,244 A 7/1982 Scott  
4,352,586 A 10/1982 Hayden  
D270,797 S \* 10/1983 Marleau ..... D8/373

(21) Appl. No.: **29/157,405**

(List continued on next page.)

(22) Filed: **Mar. 18, 2002**

**FOREIGN PATENT DOCUMENTS**

**Related U.S. Application Data**

DE 27 11 360 9/1978  
FR 1447347 6/1966  
GB 432223 7/1935  
GB 2205137 A 11/1988  
GB 2253666 A 9/1992  
GB 2274887 A \* 10/1994

(63) Continuation of application No. 09/225,788, filed on Jan. 5, 1999.

(51) **LOC (7) Cl.** ..... **08-05**

(52) **U.S. Cl.** ..... **D8/356**

(58) **Field of Search** ..... D6/512; D8/349,  
D8/354, 355, 356, 363, 364, 365, 373,  
380, 382, 394, 395, 396; 24/326, 329, 339;  
215/386; 248/312, 316.7, 317, 690; 285/114,  
117; 439/369, 371

*Primary Examiner*—Doris V. Coles  
*Assistant Examiner*—Elizabeth A. Albert  
(74) *Attorney, Agent, or Firm*—Timothy J. Ziolkowski; J. Mark Wilkinson

(57) **CLAIM**

(56) **References Cited**

The ornamental design for a retainer clip, as shown and described.

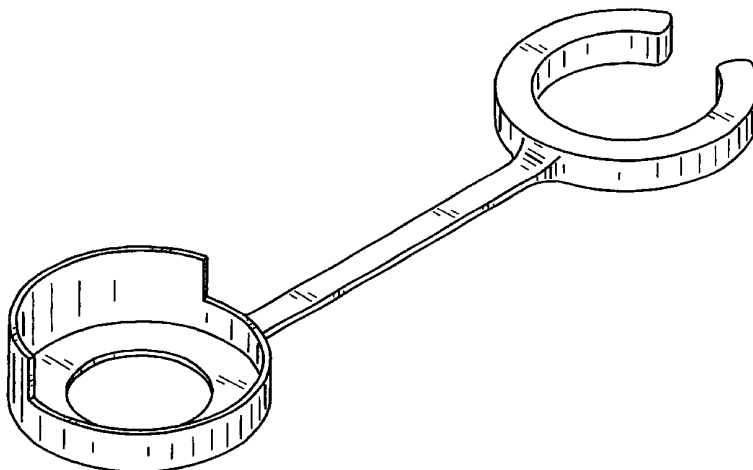
**U.S. PATENT DOCUMENTS**

**DESCRIPTION**

721,577 A 2/1903 Lindner  
,770,982 A 9/1904 Plassmann  
,874,378 A 12/1907 Allen  
,883,220 A 3/1908 Middlebrook  
1,072,896 A 9/1913 Albee  
1,290,433 A \* 1/1919 Walker ..... 248/690  
1,759,567 A 5/1930 Dibner  
1,989,823 A 2/1935 Raabe  
2,143,177 A 1/1939 Whyte  
2,455,760 A 12/1948 Gustafson  
2,461,427 A 2/1949 Kneebone  
2,699,915 A 1/1955 Goepfrich  
2,720,633 A \* 10/1955 Westerberg ..... 439/369  
2,753,536 A 7/1956 Tjader  
2,774,049 A 12/1956 Kibler et al.  
3,272,536 A 9/1966 Weinhold

FIG. 1 is a perspective view of a retainer clip showing our new design;  
FIG. 2 is a front plan view of the design of FIG. 1;  
FIG. 3 is a rear plan view of the design of FIG. 1;  
FIG. 4 is a left side view of the design of FIG. 1;  
FIG. 5 is a bottom plan view of the design of FIG. 1;  
FIG. 6 is a right side view of the design of FIG. 1;  
FIG. 7 is a top plan view of the design of FIG. 1; and,  
FIG. 8 is a left side view of the retainer clip of FIG. 1 in operation with a quick connect coupler.  
The broken lines shown in FIG. 8 are for illustrative purposes only and form no part of the claimed design.

**1 Claim, 3 Drawing Sheets**



# US D467,492 S

Page 2

---

## U.S. PATENT DOCUMENTS

4,664,463 A	5/1987	Carmo		5,293,913 A	3/1994	Preszler	
D291,650 S *	9/1987	Monzen .....	D8/396	5,366,259 A	11/1994	Hohmann	
4,741,590 A	5/1988	Caron		5,395,140 A	3/1995	Wiethorn	
4,796,925 A *	1/1989	Zwicker .....	285/114	5,401,063 A	3/1995	Plosz	
4,826,486 A	5/1989	Palsrok et al.		5,423,775 A	6/1995	Cannon	
4,913,468 A	4/1990	Rattmann		5,437,483 A	8/1995	Umezawa	
5,016,922 A	5/1991	Le Mer et al.		D371,508 S *	7/1996	Sagol .....	D8/396
5,060,689 A	10/1991	Csaszar et al.		5,558,236 A *	9/1996	Williams et al. ....	248/312
5,066,049 A	11/1991	Staples		5,695,223 A	12/1997	Boticki	
5,152,555 A	10/1992	Szabo		5,766,032 A	6/1998	LaPointe	
5,248,306 A	9/1993	Clark et al.		5,803,509 A	9/1998	Adams	
5,284,369 A	2/1994	Kitamura		5,904,221 A	5/1999	Breitweg et al.	

\* cited by examiner

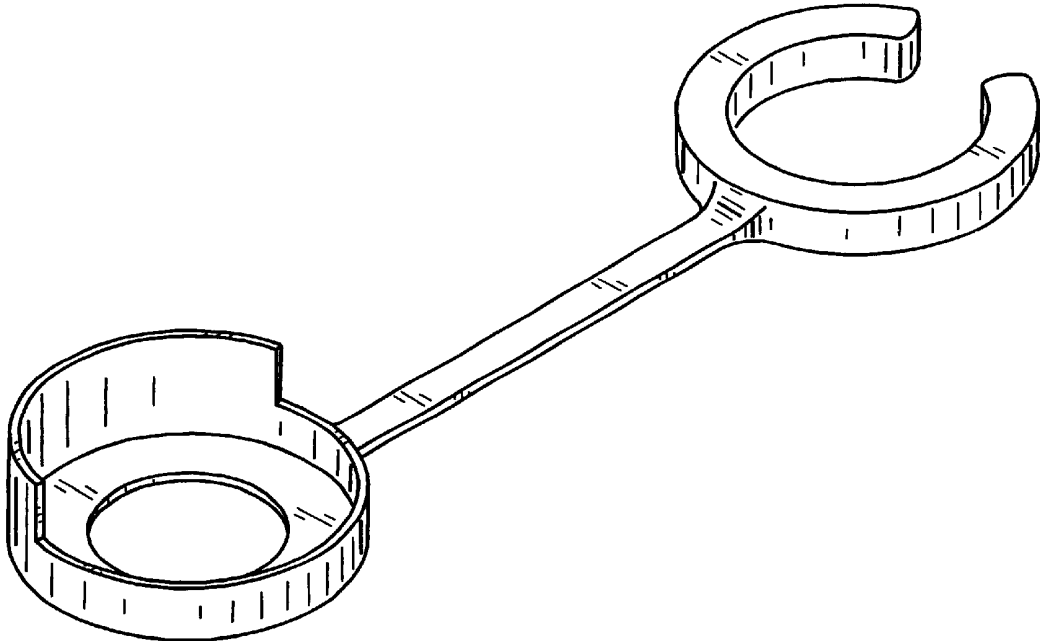


FIG. 1

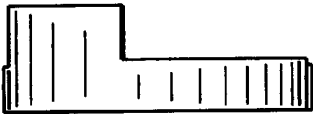


FIG. 2

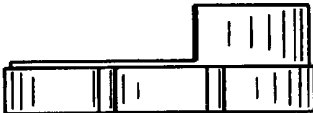


FIG. 3



FIG. 4

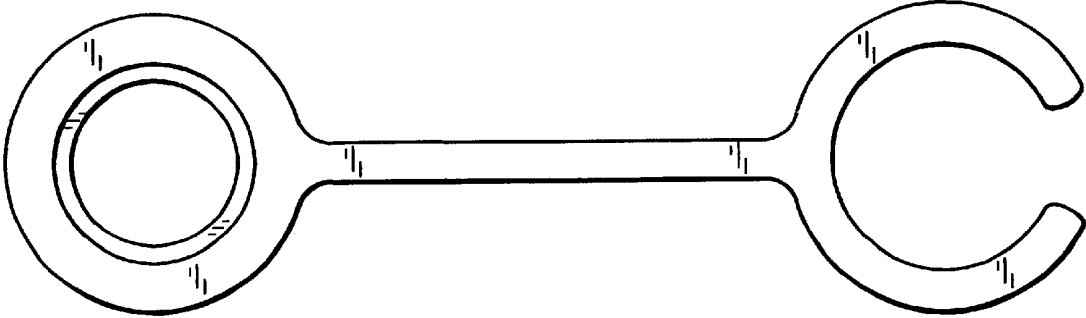


FIG. 5

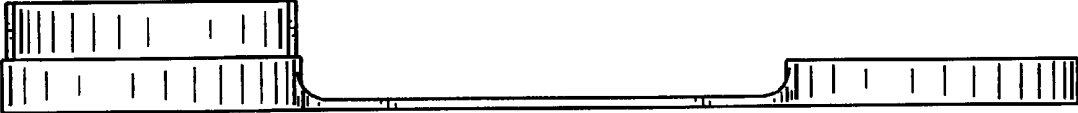


FIG. 6

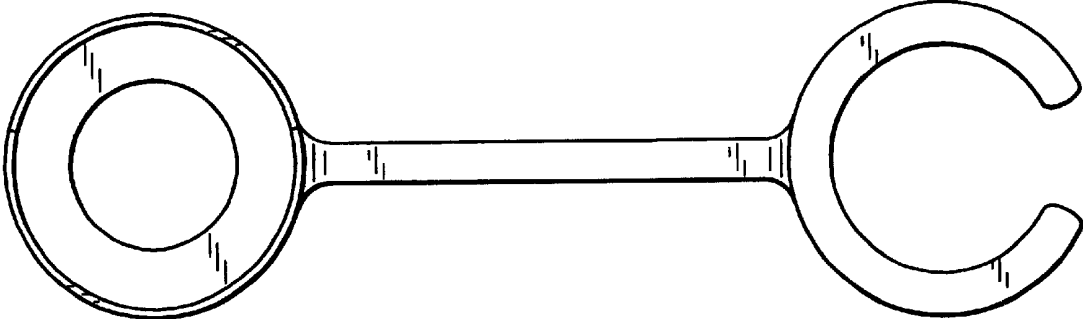


FIG. 7

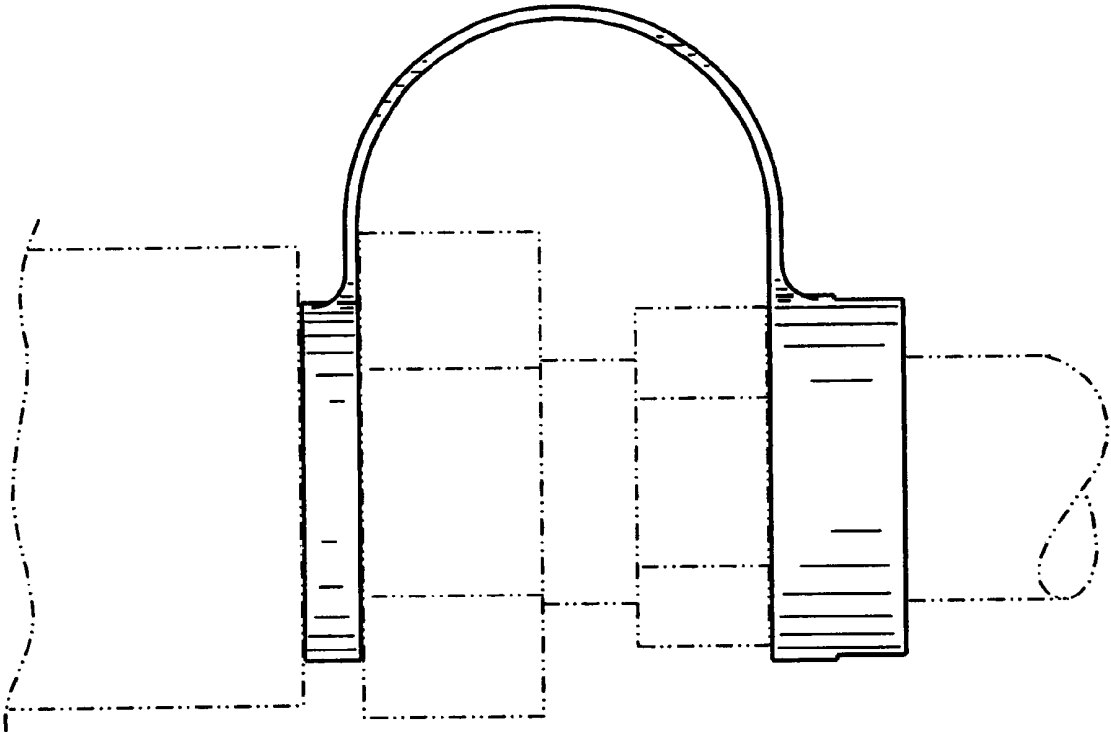


FIG. 8