



US00D456013S

(12) **United States Design Patent**  
**Heckenkamp**

(10) **Patent No.:** **US D456,013 S**

(45) **Date of Patent:** **\*\* Apr. 23, 2002**

(54) **CONTACTOR BASE**

(75) **Inventor:** **Daniel P. Heckenkamp**, Oconomowoc, WI (US)

(73) **Assignee:** **Eaton Corporation**, Cleveland, OH (US)

(\*\*) **Term:** **14 Years**

(21) **Appl. No.:** **29/119,954**

(22) **Filed:** **Mar. 10, 2000**

(51) **LOC (7) Cl.** ..... **13-03**

(52) **U.S. Cl.** ..... **D13/184**

(58) **Field of Search** ..... D13/184; D14/314, D14/434; 174/50-67, 65 R, 48-49, 58; 312/223.1, 223.2; 335/159, 132, 160, 248, 201; 361/679, 724, 829; 379/399

(56) **References Cited**

**U.S. PATENT DOCUMENTS**

3,453,569 A	7/1969	Ostby	335/132
3,824,510 A	7/1974	Kolb et al.	335/160
4,525,694 A	6/1985	Dennison et al.	335/132
4,544,814 A	10/1985	Butterworth et al.	200/50
4,710,740 A	12/1987	Dennison	335/248
4,760,364 A	7/1988	Ostby	335/132
4,951,018 A	* 8/1990	Schmiedel et al.	335/132

5,281,937 A	1/1994	Young	335/132
5,418,511 A	5/1995	Theisen et al.	335/201
6,002,579 A	* 12/1999	Drexler et al.	361/605
6,129,429 A	* 10/2000	Hardt et al.	312/223.2
6,140,896 A	* 10/2000	Heckenkamp	335/159
6,225,880 B1	* 5/2001	Kern	335/78

\* cited by examiner

*Primary Examiner*—Adir Aronovich

*Assistant Examiner*—Daniel Bui

(74) *Attorney, Agent, or Firm*—Timothy J. Ziolkowski; Cook & Franke, S.C.

(57) **CLAIM**

The ornamental design of a contactor base, as shown and described herein.

**DESCRIPTION**

FIG. 1 is perspective view showing the front, right side, and top of a contactor base from my new design.

FIG. 2 is top plan view thereof;

FIG. 3 is a bottom plan view thereof;

FIG. 4 is a left side elevational view thereof;

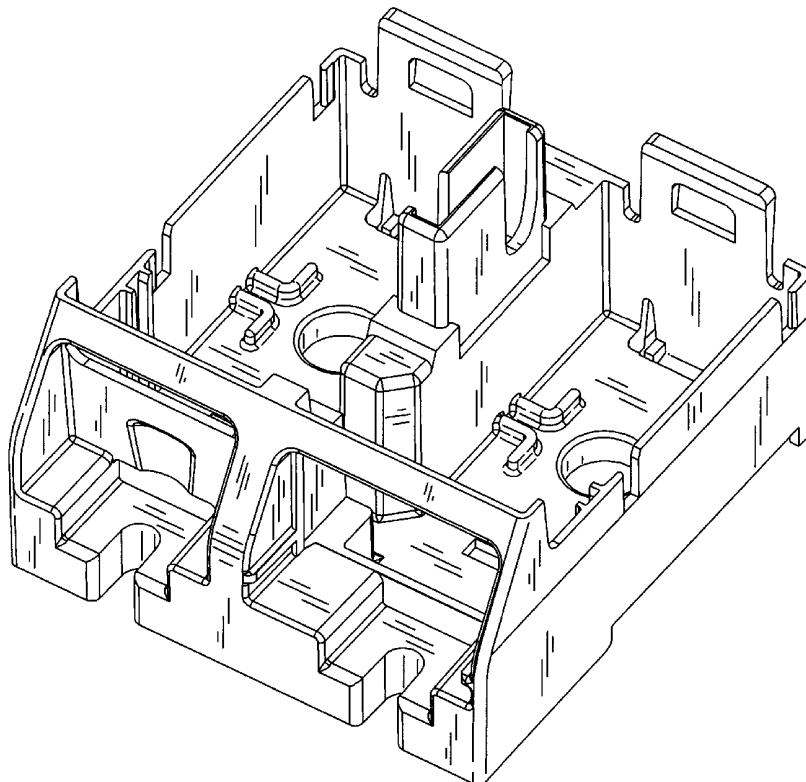
FIG. 5 is a right side elevational view thereof;

FIG. 6 is a front side elevational view thereof;

FIG. 7 is a back side elevational view thereof; and,

FIG. 8 is a perspective view similar to that of FIG. 1 in having a pair of contactors phantom therein.

**1 Claim, 6 Drawing Sheets**



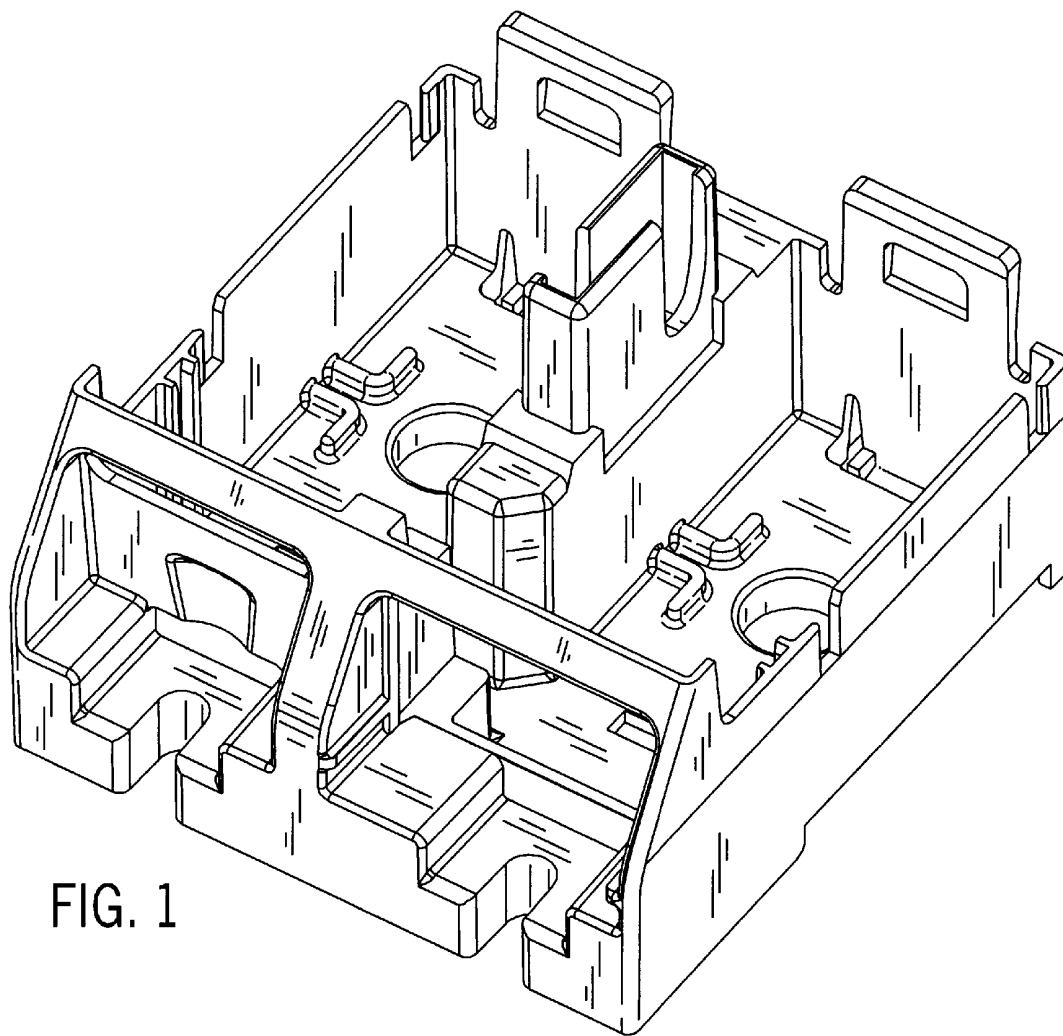


FIG. 1

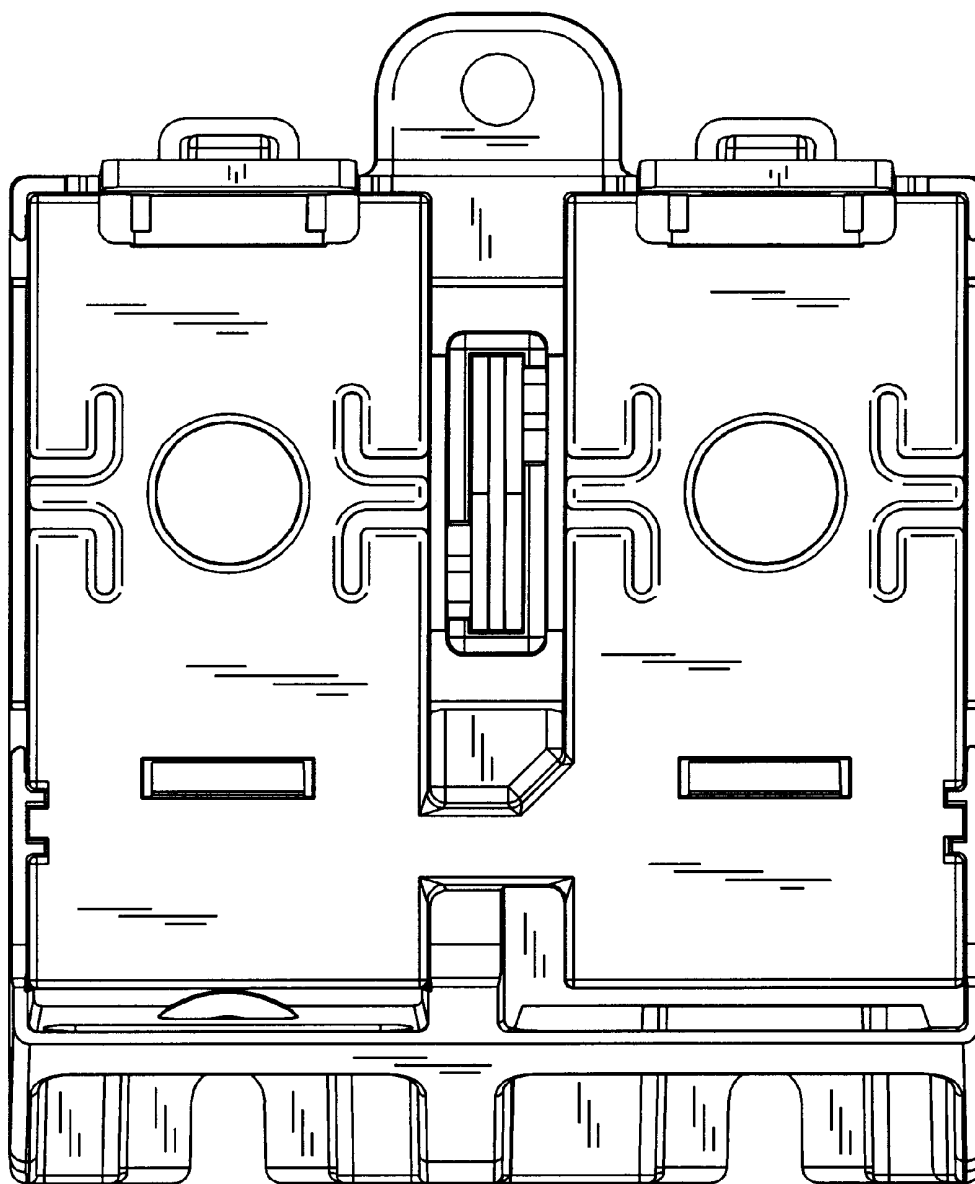


FIG. 2

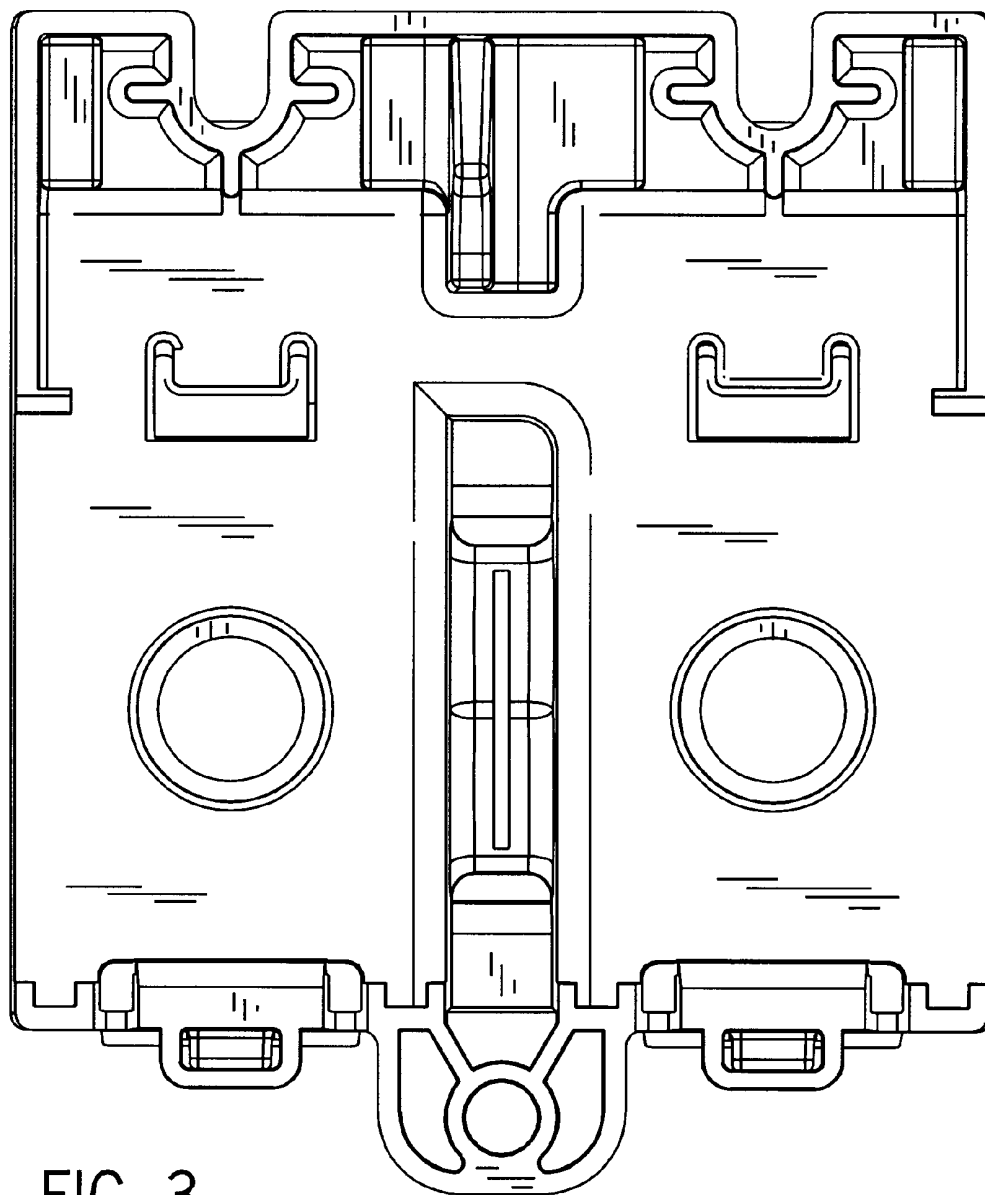


FIG. 3

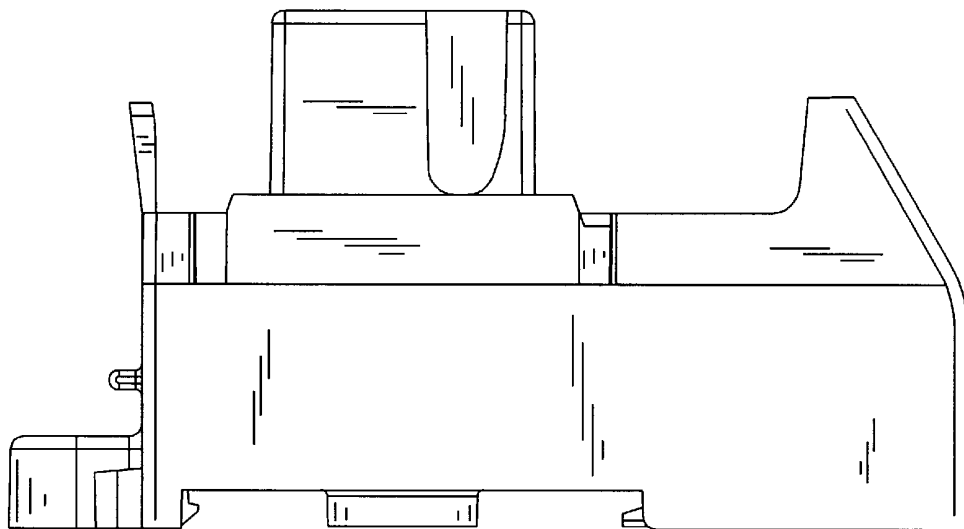


FIG. 4

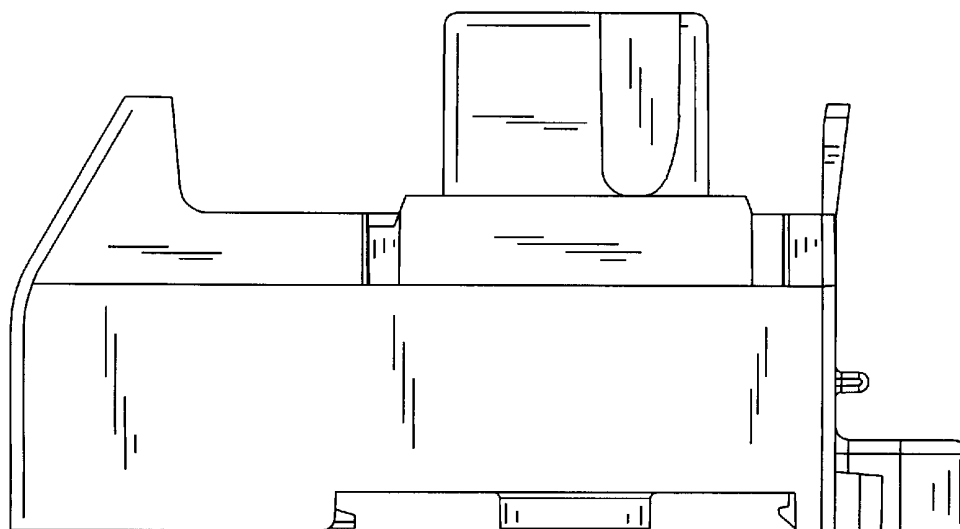


FIG. 5

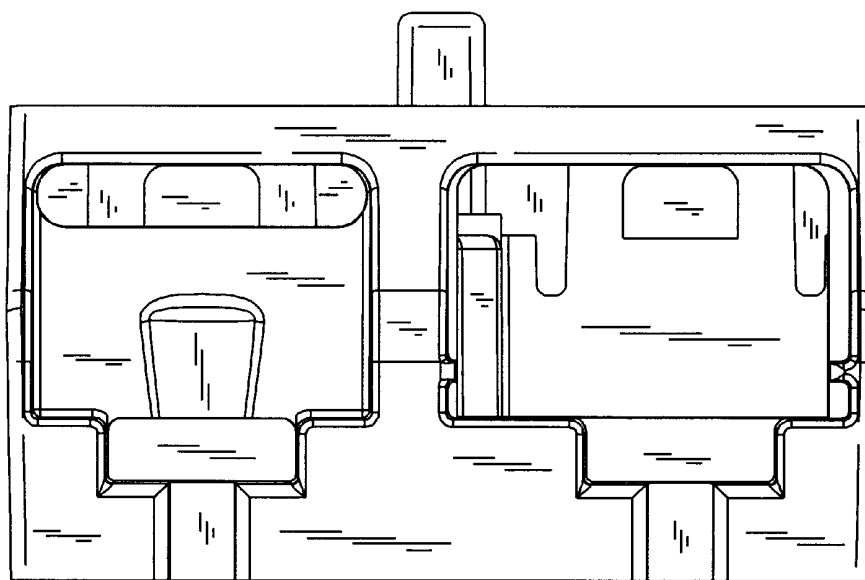


FIG. 6

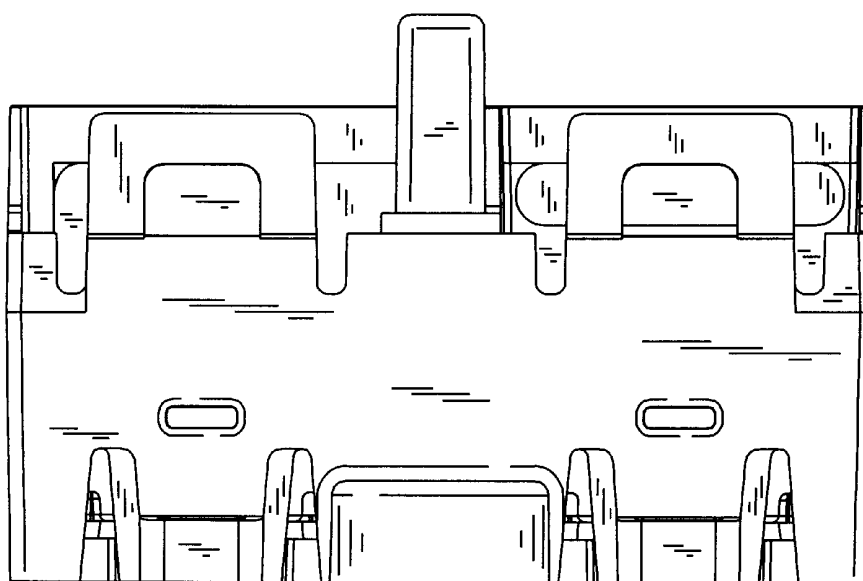


FIG. 7

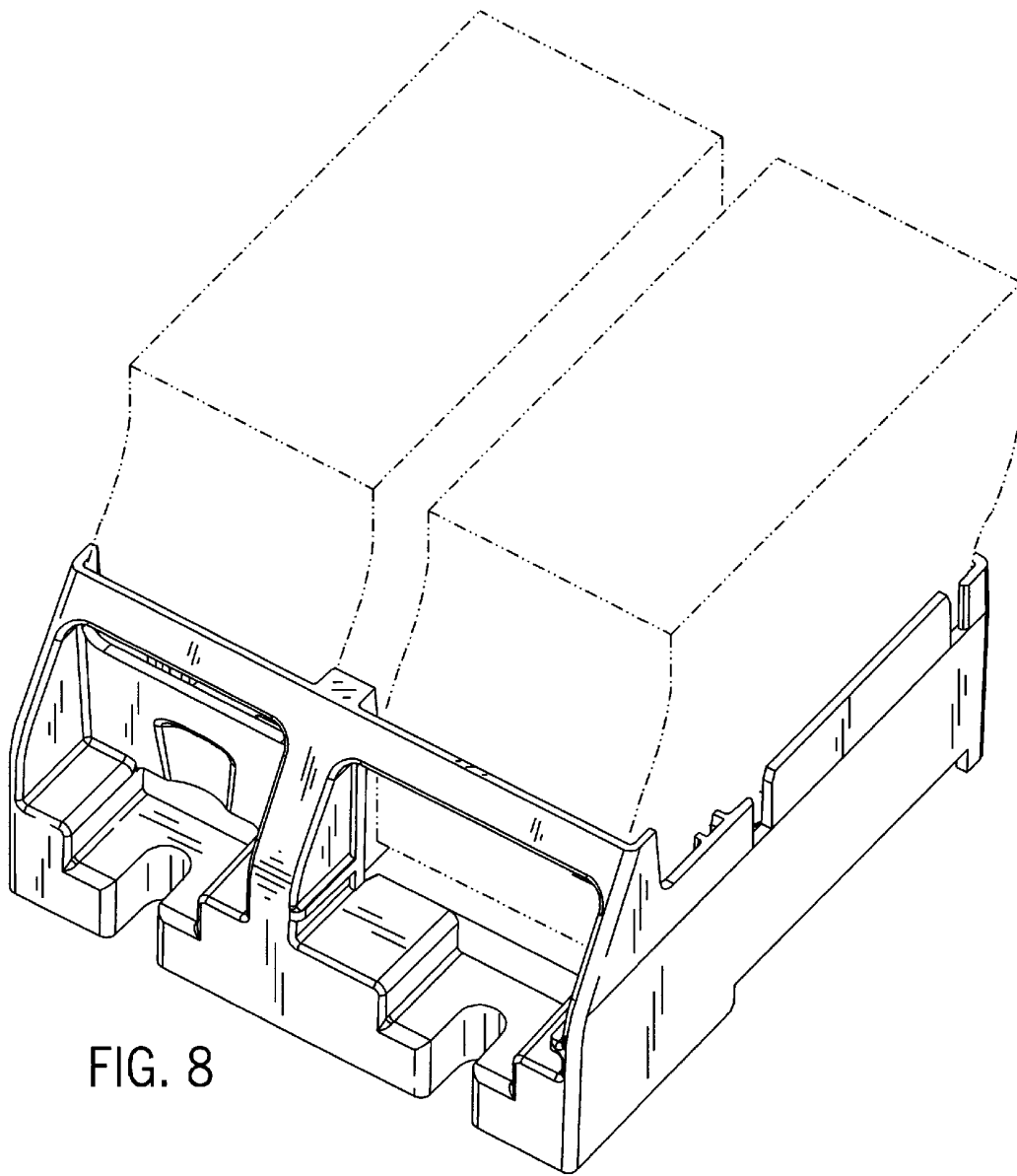


FIG. 8