



US00D438550S

(12) **United States Design Patent**  
**Uhlig et al.**

(10) **Patent No.:** **US D438,550 S**

(45) **Date of Patent:** **\*\* Mar. 6, 2001**

(54) **ROUTER BIT** 5,899,252 5/1999 Pozzo ..... 144/371

(75) Inventors: **Roman Uhlig; Mark F. Uhlig**, both of  
Fredonia, WI (US)

(73) Assignee: **Solid Surface Innovated Equipment  
LLC**, Fredonia, WI (US)

(\*\*) Term: **14 Years**

(21) Appl. No.: **29/118,474**

(22) Filed: **Feb. 9, 2000**

(51) **LOC (7) Cl.** ..... **15-09**

(52) **U.S. Cl.** ..... **D15/139**

(58) **Field of Search** ..... D15/138, 139;  
409/182; 407/53, 61, 63, 114, 54; 144/371,  
135.2, 137, 228, 241, 253.2, 253.5

(56) **References Cited**

**U.S. PATENT DOCUMENTS**

D. 338,213	*	8/1993	Witt	.....	D15/139
4,145,159	*	3/1979	Yamada et al.	.....	407/53
4,541,756		9/1985	Kubota	.....	407/45
4,669,923		6/1987	McKinney	.....	407/34
5,044,843		9/1991	Velepec	.....	409/126
5,154,215		10/1992	Safranek	.....	144/219
5,647,700		7/1997	Velepec	.....	407/34
5,893,683		4/1999	Johnson	.....	407/42

**OTHER PUBLICATIONS**

“Butterfly Coving Router with Dust Extraction” Advertisement, 1 page (date unknown).

“Cove Bits” Specification Sheet, 1 page (date unknown).  
#43696 Replacement Bit, Pinsky Catalog, p. 15 (date unknown).

<http://boschtools.com>, Bosch Router Bit Specification Sheet, Nov. 2, 1999.

\* cited by examiner

*Primary Examiner*—Antoine Duval Davis

(74) *Attorney, Agent, or Firm*—Cook & Franke S.C.;  
Timothy J. Ziolkowski

(57) **CLAIM**

The ornamental design of a router bit, as shown and described.

**DESCRIPTION**

FIG. 1 is a perspective view of a router bit showing my new design;

FIG. 2 is a front plan view thereof;

FIG. 3 is a top plan view thereof;

FIG. 4 is bottom plan view thereof; and,

FIG. 5 is a left side view thereof.

**1 Claim, 1 Drawing Sheet**

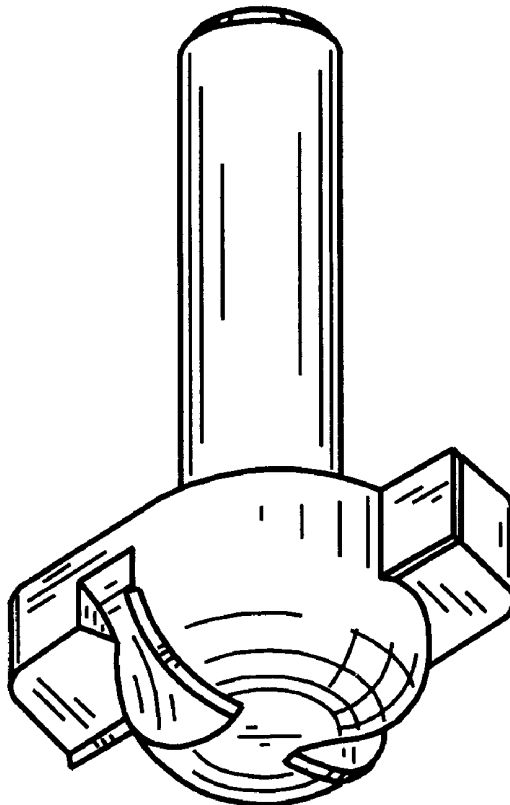


FIG. 1

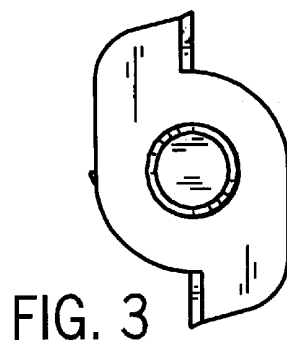
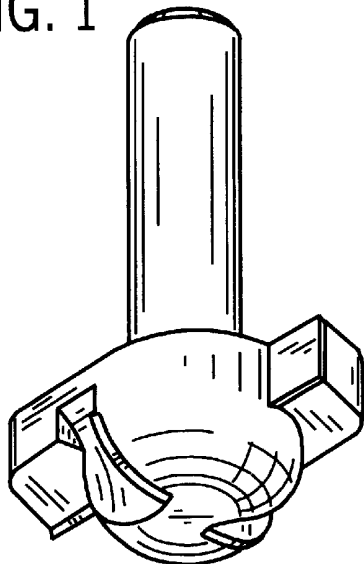


FIG. 3

FIG. 2

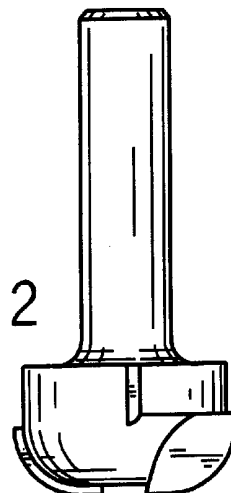


FIG. 5

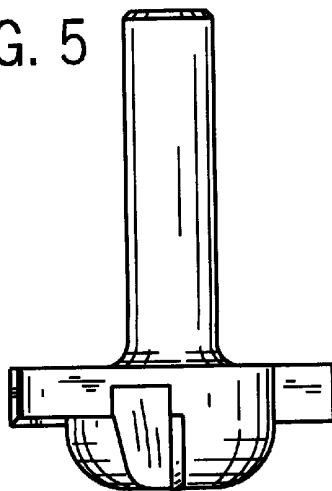


FIG. 4

