



US00D437778S

(12) **United States Design Patent**
Voden et al.

(10) **Patent No.:** **US D437,778 S**

(45) **Date of Patent:** **** Feb. 20, 2001**

(54) **DART CASE**

(75) Inventors: **Derick L. Voden**, Milwaukee; **Justin L. Voden**, Waukesha, both of WI (US)

(73) Assignee: **Great Lakes Dart Mfg., Inc.**, Muskego, WI (US)

(**) Term: **14 Years**

(21) Appl. No.: **29/109,827**

(22) Filed: **Aug. 23, 1999**

Related U.S. Application Data

(62) Division of application No. 08/987,680, filed on Dec. 9, 1997.

(51) **LOC (7) Cl.** **09-03**

(52) **U.S. Cl.** **D9/418; D9/415**

(58) **Field of Search** D9/415, 418, 432, D9/337, 414; 206/315.1, 315.11, 349, 806, 443, 526, 579; 220/879, 4.23, 4.22, 4.24; 229/117.09, 117.12, 162, 177, 191, 179, 918; D3/221, 904; 273/416, 283

(56) **References Cited**

U.S. PATENT DOCUMENTS

D. 242,657	*	12/1976	Kurtz	D3/295
D. 309,924	*	8/1990	LeFebvre, Jr.	D3/221
D. 318,802	*	8/1991	Egide	D9/418
D. 343,575	*	1/1994	Edelson	D9/415
D. 391,847	*	3/1998	Seo et al.	D9/418 X
D. 411,449	*	6/1999	Voden	D9/415
2,687,157	*	8/1954	Cowan	220/339 X
3,043,354	*	7/1962	Fitzgerald	220/339 X
3,149,843	*	9/1964	Braun	273/283
3,151,741	*	10/1964	Haecker	206/315.1 X
3,648,400	*	3/1972	Wolfe	220/339 X
3,952,873	*	4/1976	Pampuch et al.	220/339 X
3,960,271	*	6/1976	Nelson	206/315 R
4,349,102	*	9/1982	Strongwater	206/806 X

4,632,242	*	12/1986	Choi et al.	206/806 X
4,773,578	*	9/1988	Braun	224/252
4,884,718	*	12/1989	Leahy	220/339
5,067,610	*	11/1991	Jensen	206/315.1
5,165,537	*	11/1992	Neff et al.	206/315.1
5,238,108	*	8/1993	Velezis et al.	206/315.1
5,409,109	*	4/1995	Smith	206/315.11
5,450,992	*	9/1995	Coffee	224/240
5,522,508	*	6/1996	Pesola	206/579
5,533,625	*	7/1996	Mikkelsen	206/565
5,586,677	*	12/1996	Foos	220/339 X

FOREIGN PATENT DOCUMENTS

1480373	*	5/1967	(FR)	206/806
1583862	*	2/1981	(GB)	220/339

* cited by examiner

Primary Examiner—Prabhakar Deshmukh

(74) Attorney, Agent, or Firm—Cook & Franke S.C.; Timothy J. Ziolkowski

(57) **CLAIM**

The ornamental design for a dart case, as shown and described.

DESCRIPTION

FIG. 1 is a perspective view of a transparent dart case showing our new design;
 FIG. 2 is a front elevational view thereof;
 FIG. 3 is a rear elevational view thereof;
 FIG. 4 is a right side elevational view of FIG. 2,
 FIG. 5 is a top plan view of FIG. 2,
 FIG. 6 is a left side elevational view thereof;
 FIG. 7 is a bottom plan view of FIG. 2; and,
 FIG. 8 is a prospective view of an alternate embodiment of a dart case showing our design with an opaque surface; all other corresponding views are similar to those shown in FIGS. 2–7 with the exception of an opaque surface.
 The broken lines shown in all figures are for illustrative purposes only and form no part of the claimed design.

1 Claim, 3 Drawing Sheets

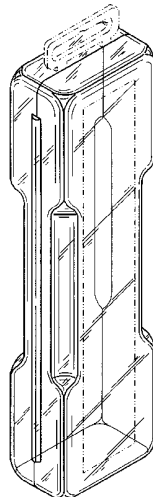


FIG. 5

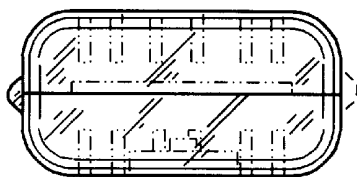


FIG. 1

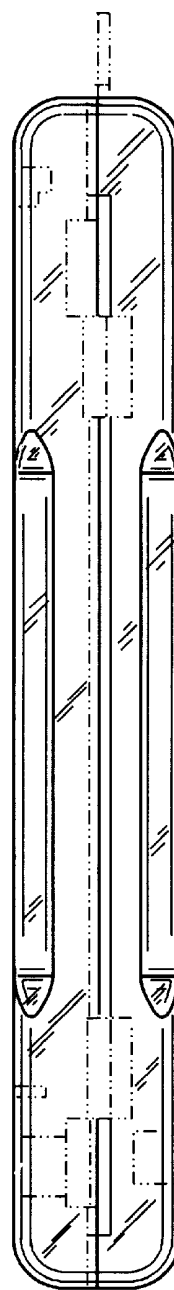
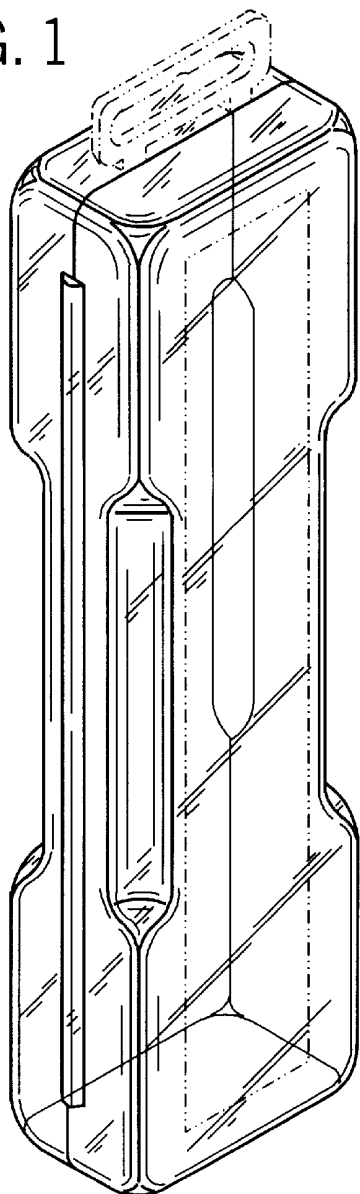


FIG. 4

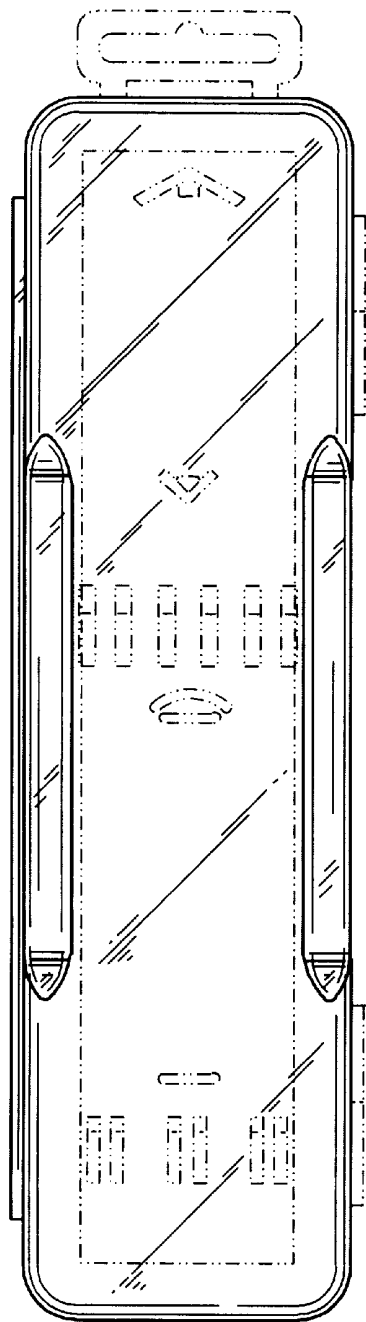


FIG. 2

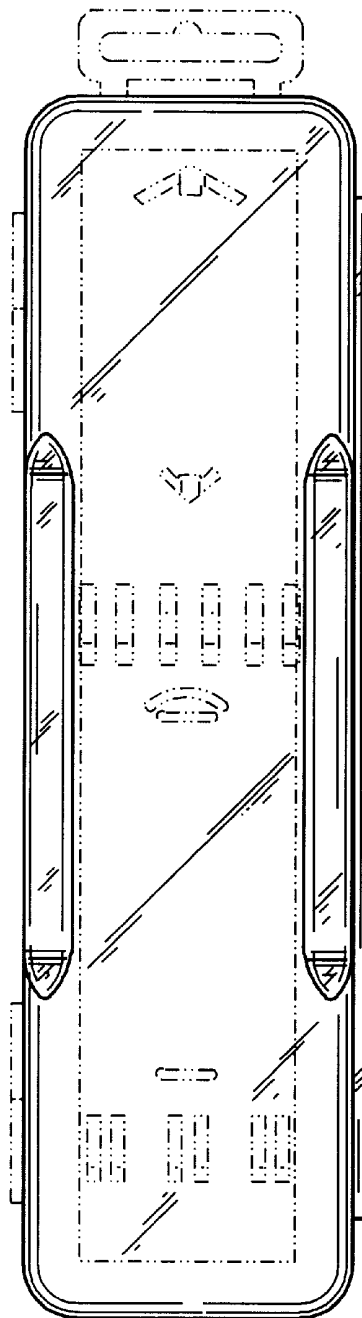


FIG. 3

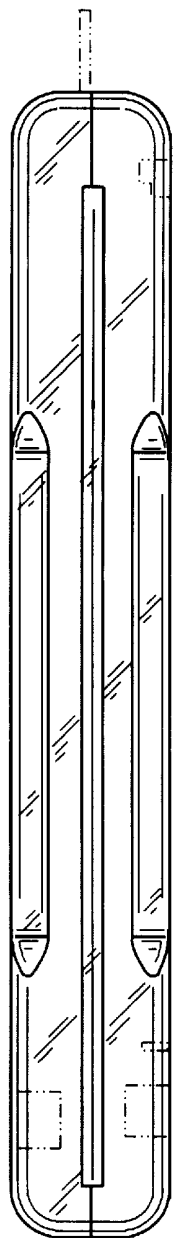


FIG. 6

FIG. 8

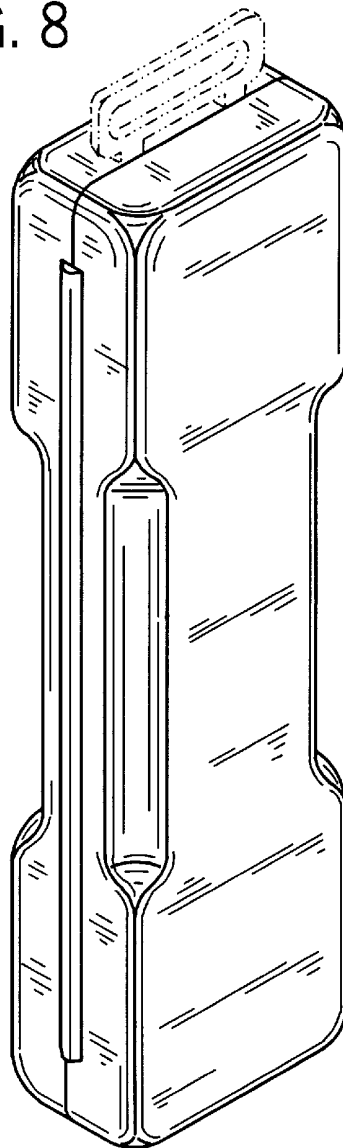


FIG. 7

