



US00D416484S

# United States Patent [19] Voden

[11] **Patent Number:** **Des. 416,484**

[45] **Date of Patent:** **\*\* Nov. 16, 1999**

[54] **BILLIARD ACCESSORIES PACKAGE**

4,591,051 5/1986 Lowman ..... 206/315  
5,842,567 12/1998 Rowe et al. .... 206/471 X

[75] Inventor: **Justin L. Voden**, Waukesha, Wis.

### OTHER PUBLICATIONS

[73] Assignee: **Great Lakes Dart Manufacturing, Inc.**, Muskego, Wis.

Packaging, p. 22, Mar. 1982.

[\*\*] Term: **14 Years**

*Primary Examiner*—Prabhakar Deshmukh  
*Attorney, Agent, or Firm*—Whyte Hirschboeck Dudek S.C.;  
Timothy J. Ziolkowski

[21] Appl. No.: **29/094,409**

### [57] CLAIM

[22] Filed: **Oct. 1, 1998**

The ornamental design for a billiard accessories package, as shown and described.

### Related U.S. Application Data

### DESCRIPTION

[62] Division of application No. 09/146,573, Sep. 3, 1998.

[51] **LOC (6) Cl.** ..... **09-07**

[52] **U.S. Cl.** ..... **D9/415; D6/552**

[58] **Field of Search** ..... D9/415, 418, 414,  
D9/337, 430, 431; 206/315.1, 461-471,  
806, 495, 315.9, 579; D6/552

FIG. 1 is a perspective view of a transparent billiard accessories package showing my new design;  
FIG. 2 is a top plan view thereof;  
FIG. 3 is a right side elevational view thereof; the left side elevational view being a mirror image thereof;  
FIG. 4 is a rear elevational view thereof;  
FIG. 5 is a front elevational view thereof;  
FIG. 6 is a bottom plan view thereof; and,  
FIG. 7 is a top plan view of a second embodiment of the billiard accessories package showing with an opaque surface; all other corresponding views are similar to as shown in FIG. 2-6 with the exception of an opaque surface.  
The broken lines shown in all figures are for illustrative purposes only and form no part of the claimed design.

### [56] References Cited

#### U.S. PATENT DOCUMENTS

- D. 313,182 12/1990 Diepois ..... D9/415
- D. 339,259 9/1993 Kocon ..... D6/552
- D. 346,520 5/1994 Barfield ..... D6/552
- D. 400,728 11/1998 Tate ..... D6/552 X
- 4,072,256 2/1978 Young ..... 206/315.9 X
- 4,103,773 8/1978 Haber ..... 206/315
- 4,480,774 11/1984 Smith et al. .... 206/315.1 X

**1 Claim, 3 Drawing Sheets**

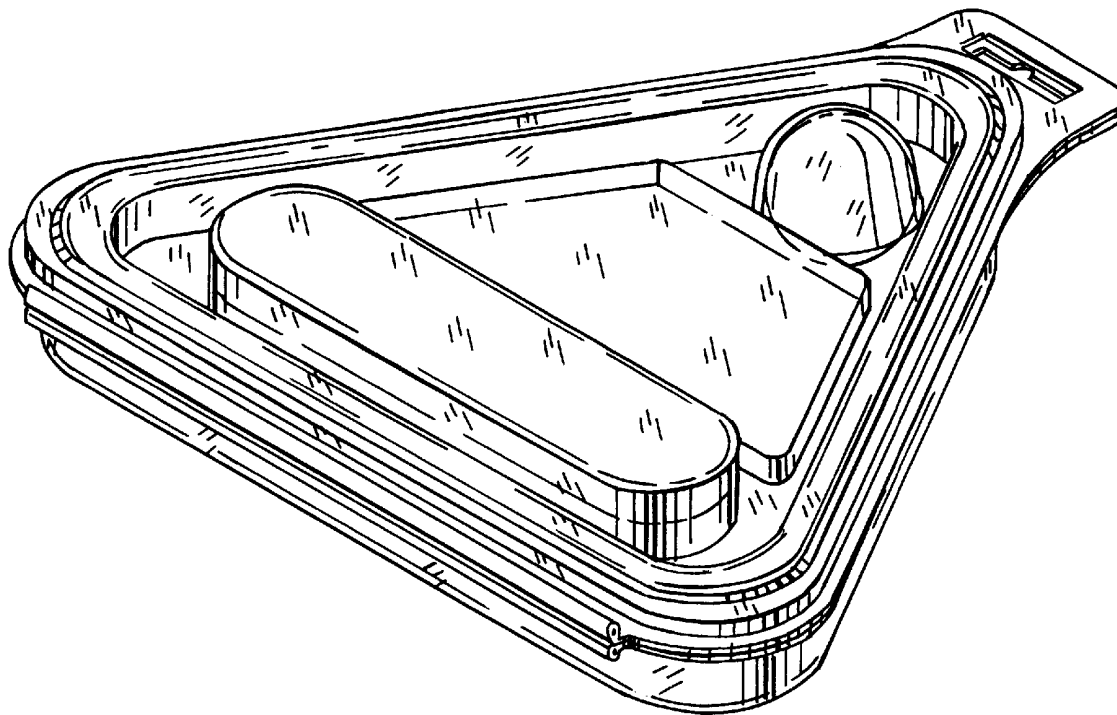


FIG. 1

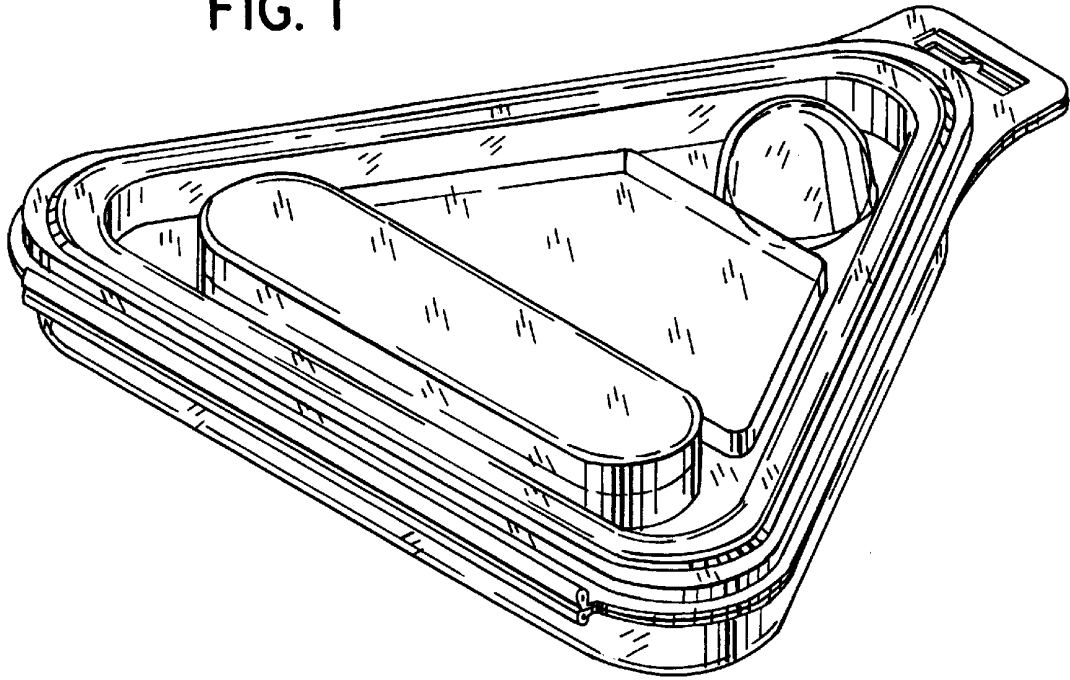


FIG. 2

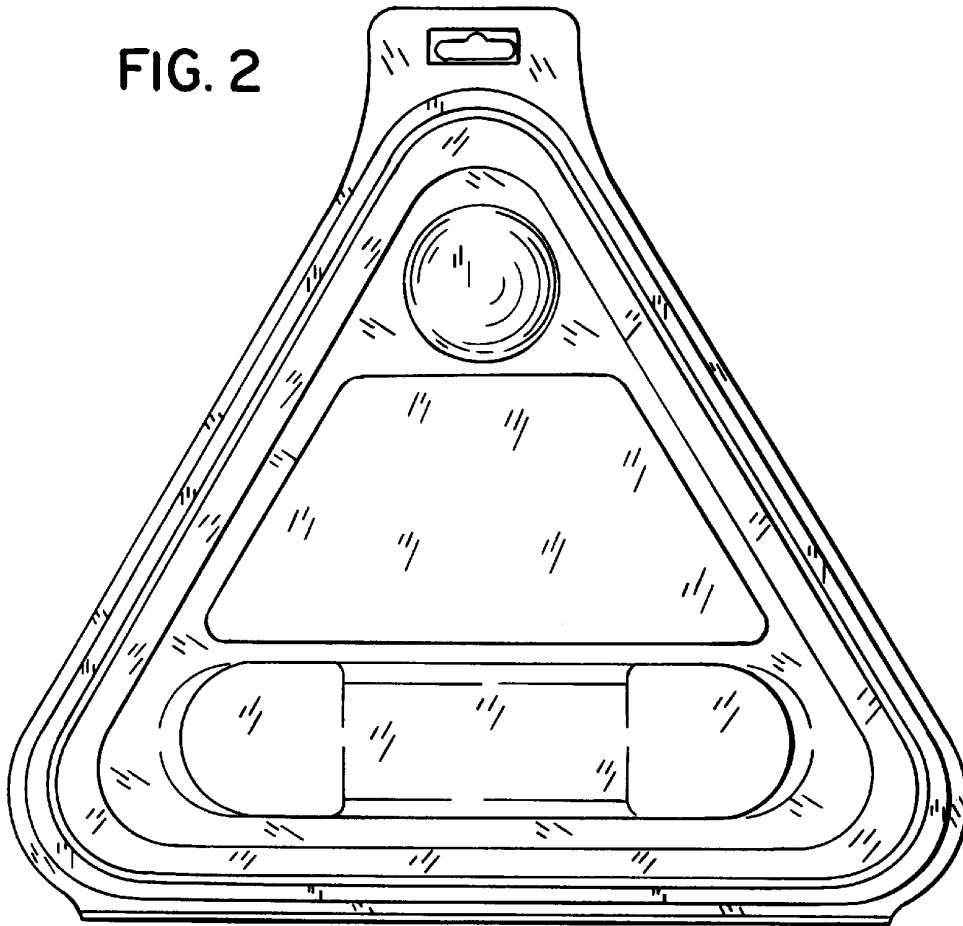


FIG. 3

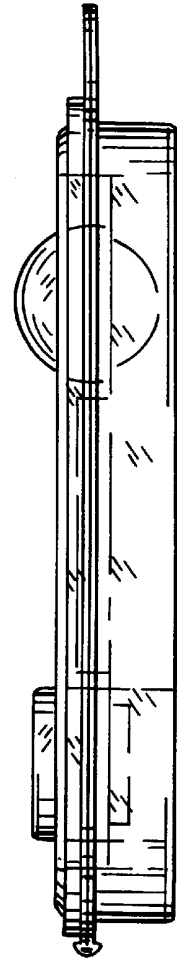


FIG. 7

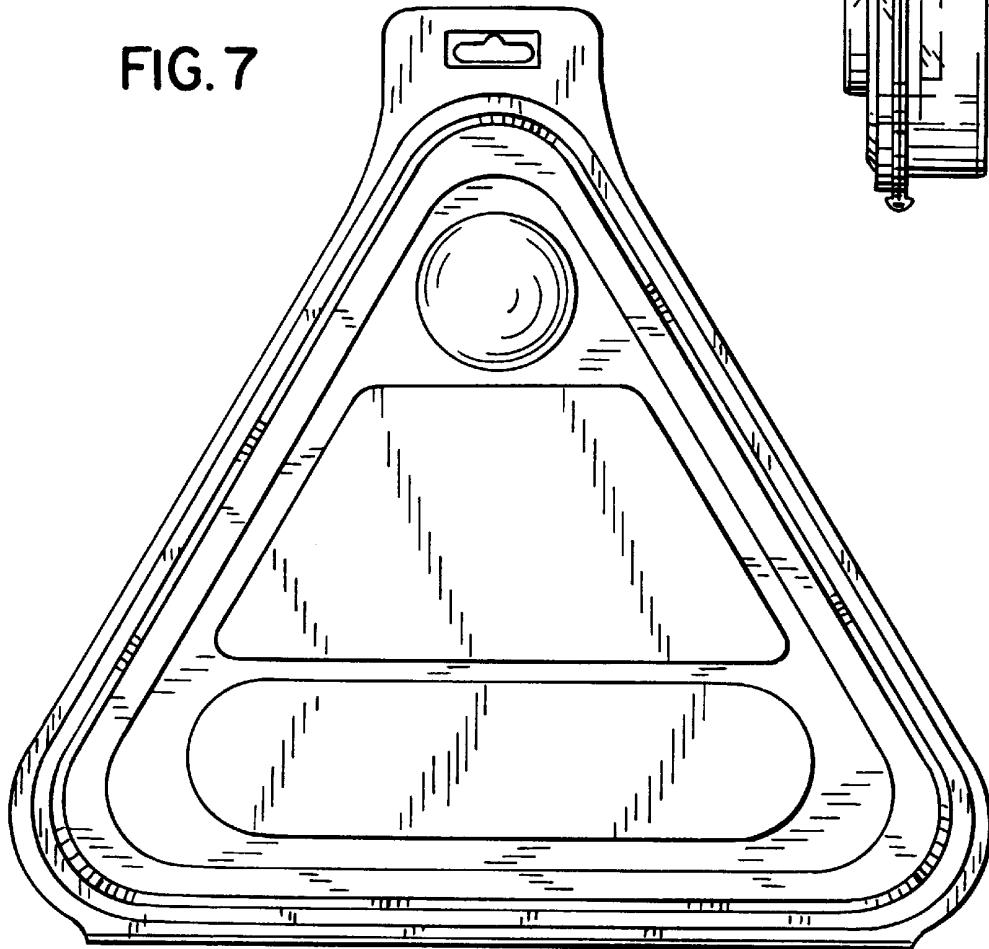


FIG. 4

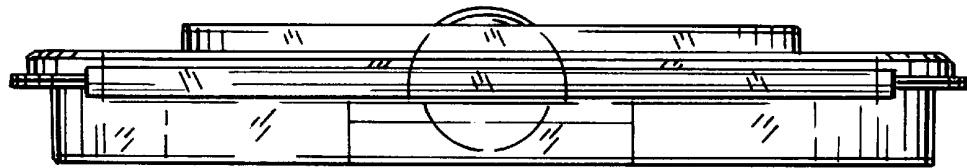
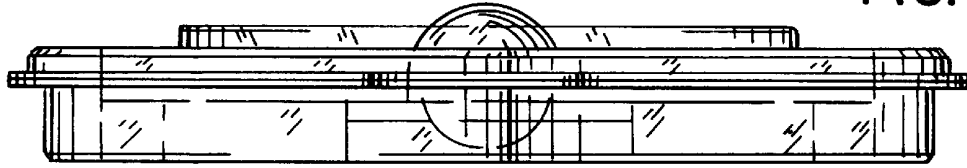


FIG. 5

FIG. 6

