



US00D411449S

United States Patent [19] Voden

[11] **Patent Number: Des. 411,449**
[45] **Date of Patent: ** Jun. 22, 1999**

[54] **DART PACKAGE**

[75] Inventor: **Nicholas L. Voden**, New Berlin, Wis.

[73] Assignee: **Great Lakes Dart Mfg., Inc.**,
Muskego, Wis.

[**] Term: **14 Years**

[21] Appl. No.: **29/096,979**

[22] Filed: **Nov. 25, 1998**

[51] **LOC (6) Cl.** **09-07**

[52] **U.S. Cl.** **D9/415**

[58] **Field of Search** D9/415, 418, 341,
D9/428, 337; 206/461-471, 806, 495, 579,
315.11, 315.1; D21/387

4,884,718 12/1989 Leahy 220/339

5,067,610 11/1991 Jensen 206/315.1

5,085,319 2/1992 Wellman et al. 206/315.1

5,165,537 11/1992 Neff et al. 206/315.1

5,209,345 5/1993 Haugabook 206/45.13

5,238,108 8/1993 Velezis et al. 206/315.1

5,263,889 11/1993 Ledonne 446/5

5,409,109 4/1995 Smith 206/315.1

5,450,992 9/1995 Coffee 224/240

5,522,508 6/1996 Pesola 206/579

5,533,625 7/1996 Mikkelsen 206/565

5,586,677 12/1996 Foos 220/260

5,775,313 7/1998 Bresette et al. 206/315.1 X

FOREIGN PATENT DOCUMENTS

1480373 4/1967 France .

1583862 2/1981 United Kingdom B65D 43/16

Primary Examiner—Prabhakar Deshmukh
Attorney, Agent, or Firm—Timothy J. Ziolkowski; Whyte
Hirschboeck Dudek

[56] References Cited

U.S. PATENT DOCUMENTS

D. 256,727 9/1980 Borg et al. D9/415 X

D. 285,121 8/1986 Schwartz D9/415 X

D. 310,137 8/1990 Mays D3/39

D. 330,325 10/1992 Kocon D9/415 X

D. 343,575 1/1994 Edelson D9/415

D. 375,258 11/1996 Weder et al. D9/329

D. 394,003 5/1998 Tate D9/415

D. 403,150 12/1998 Diener et al. D9/415 X

1,627,145 5/1927 Breed .

2,687,157 8/1954 Cowan 150/0.5

3,043,354 7/1962 Fitzgerald 150/0.5

3,151,741 10/1964 Haecker 206/315.1 X

3,612,261 10/1971 Cicero 206/37 R

3,648,400 3/1972 Wolfe 43/54.5

3,952,873 4/1976 Pampuch et al. 206/528

3,960,271 6/1976 Nelson 206/315 R

4,349,102 9/1982 Strongwater 206/45.34

4,632,242 12/1986 Choi et al. 206/45.34

4,773,578 9/1988 Braun 224/252

[57] CLAIM

The ornamental design of a dart package, as shown and described.

DESCRIPTION

FIG. 1 is perspective view of a dart package showing my new design;

FIG. 2 is a front elevational view thereof;

FIG. 3 is a right side elevational view thereof; the left side elevational view being a mirror image thereto;

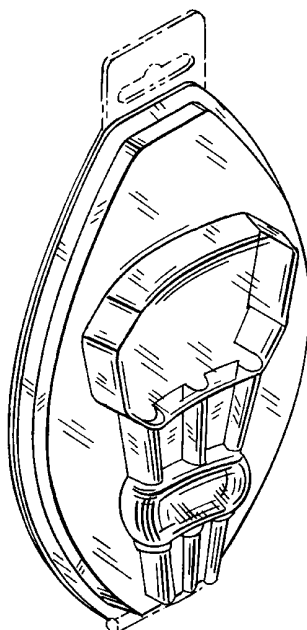
FIG. 4 is a rear elevational view thereof;

FIG. 5 is a top plan view thereof; and,

FIG. 6 is a bottom plan view thereof.

The portions of the design shown in broken lines and darts in broken lines are for illustrative purpose only and forms no part of the claimed design.

1 Claim, 2 Drawing Sheets



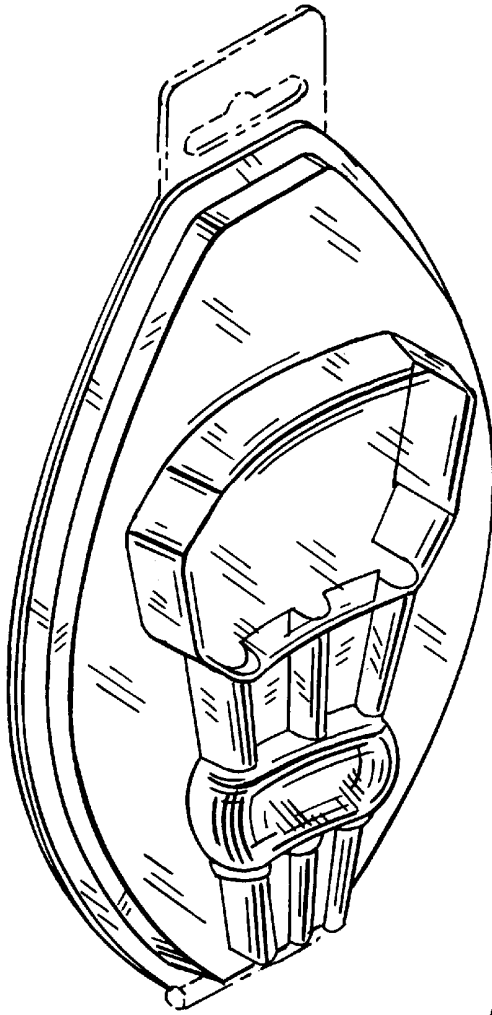


FIG. 1

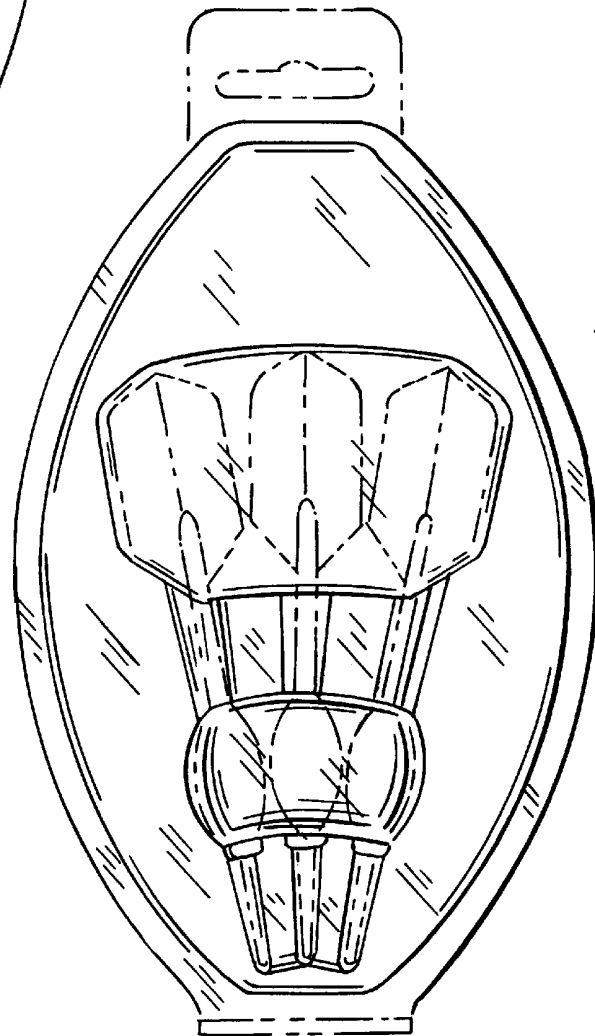


FIG. 2

FIG. 3

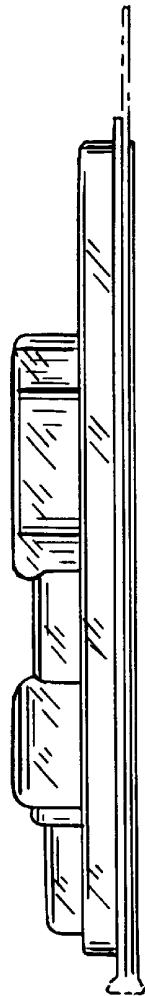


FIG. 4

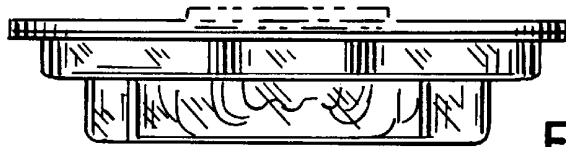
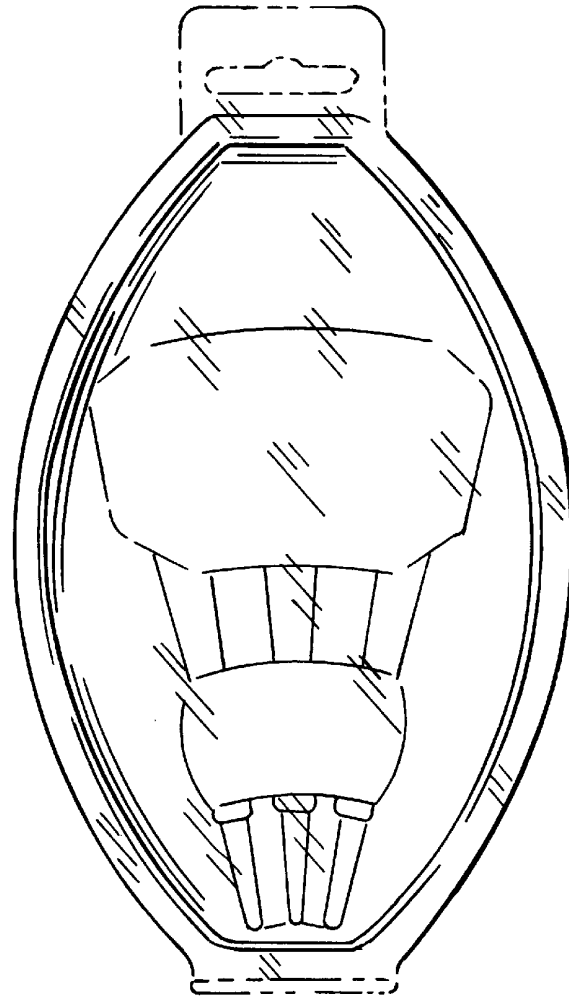


FIG. 5



FIG. 6